

FV18

Multi-Biometric Finger Vein and Fingerprint Standalone Time Attendance & Access Control Terminal



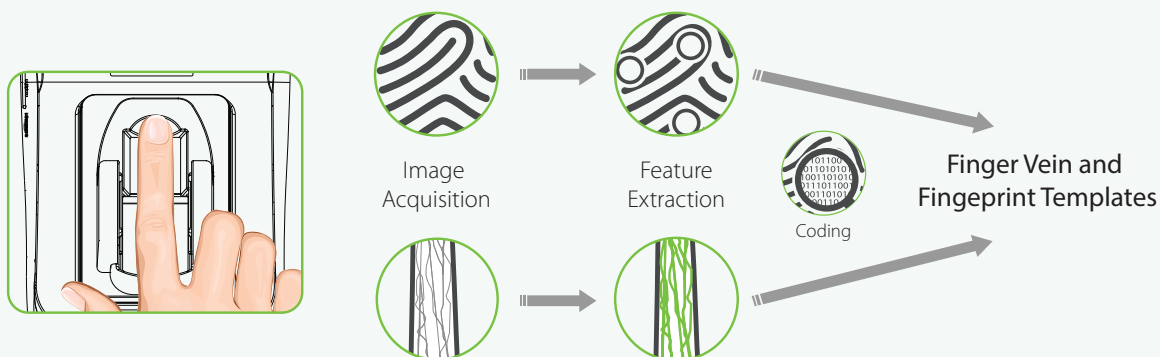
FV18 is a multi-biometric reader capable of capturing and processing finger vein and fingerprint biometric data at the same time. The new hardware platform uses ZMM220 core-board with 1.2Ghz CPU. With optimization of both hardware platform and algorithm, FV18 is one of high recognition rate, high security & high speed terminal. The device offers flexibility of both standalone installation and installation with any third-party access control panels which support standard wiegand signal.

Features

- Multi-Biometric reader with finger vein and fingerprint authentication;
- Full Access Control Features: Webserver(Optional) ; Anti-passback; Access control interface for 3rd party electric lock, door sensor, exit button, alarm and doorbell;
- Unsurpassed performance with highly accurate finger vein recognition technology;
- New Firmware: Adopts new firmware which optimizes various functions and supports flexible user privilege setting for multi-level management;

Multi-Biometric features extraction process:

Press the finger on the sensor → Capture both fingerprint and finger vein images → Get the unique points and generate templates → Compare that templates with the data which in device's database → Show the result on the device screen.



Specifications

| | |
|--------------------------|--|
| Display | 2.4-inch TFT LCD Color Screen |
| Fingerprint Capacity | 1,000 |
| Vein Capacity | 1,000 |
| Card Capacity | 5,000 (Optional) ID / Mifare / HID Proximity card / iCLASS card |
| Transaction Capacity | 100,000 |
| Sensor | ZK Finger vein sensor |
| Algorithm Version | ZKFinger VX10.0, ZKFingerVein VX3.0 |
| Communication | TCP / IP, USB-host, WIFI (Optional) |
| Access Control Interface | 3rd Party Electric Lock, Door Sensor, Exit Button, Alarm, Doorbell |
| Wiegand Signal | Input and Output, SRB |
| Aux. Input | 1ea for linkage function |
| Functions | DST, Record Query, Anti-passback |
| Optional Functions | Webserver, WorkCode, Printer, Wireless Doorbell |
| Power Supply | 12V DC, 3A |
| Operating Temperature | 0 °C- 45 °C |
| Operating Humidity | 20%-80% |
| SDK and Software | Standalone SDK, ZKAccess3.5 software |
| Dimension(L x W x H) | 210.9 x 80.1 x 96.4mm |

Optional Accessories



RFID Reader



Exit Button



Electric Lock

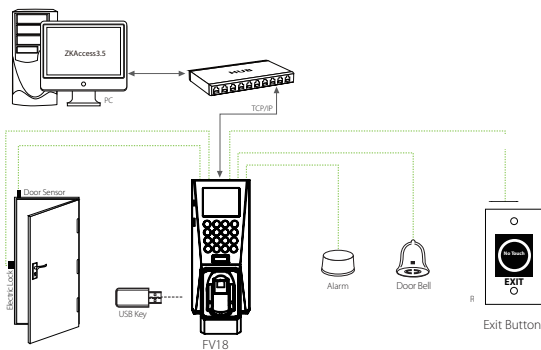


Alarm

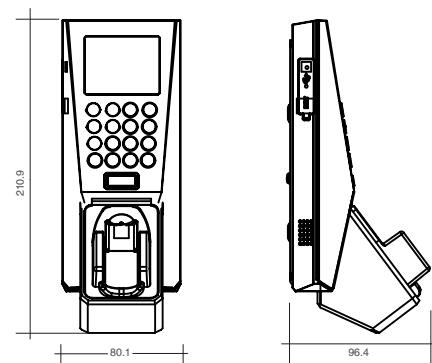


Sensor

Configuration



Dimensions (mm)



ZKTECO CO.,LTD.
E-mail: sales@zkteco.com
www.zkteco.com

© Copyright 2017. ZKTECO CO.,LTD. ZKTECO Logo is a registered trademark of ZKTECO or a related company. All other product and company names mentioned are used for identification purposes only and may be the trademarks of their respective owners. All specifications are subject to change without notice. All rights reserved.