

ILLUMINATED



SWITCHES

» Features

- Clip type contacts are applied to ensure high reliability.
- Terminals are all IC pitched (multiple of 2.54mm). By a particular terminal shape, the switch tightly when solder-dipped.
- Protection from Flux Entry Terminals are all completely sealed by epoxy.
- Many LED lights are available.

» Applications

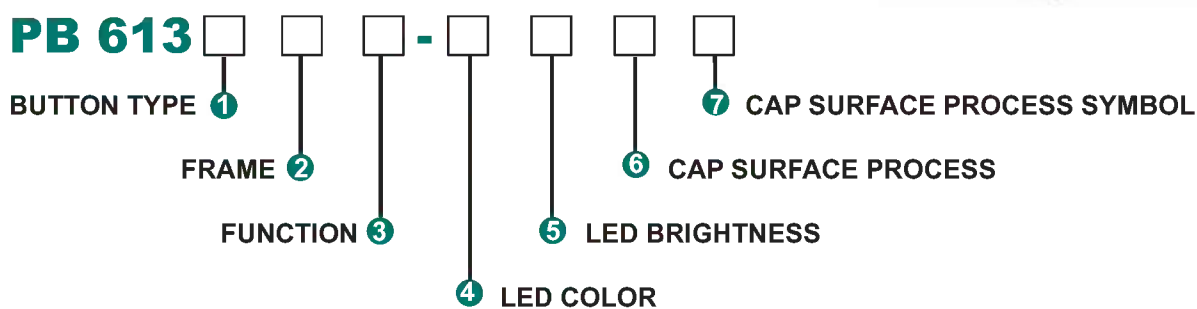
- Operating switches in all types of electronic equipment such as audio apparatus, office equipment, communications apparatus, TV sets, VCRs, etc.

» Specifications

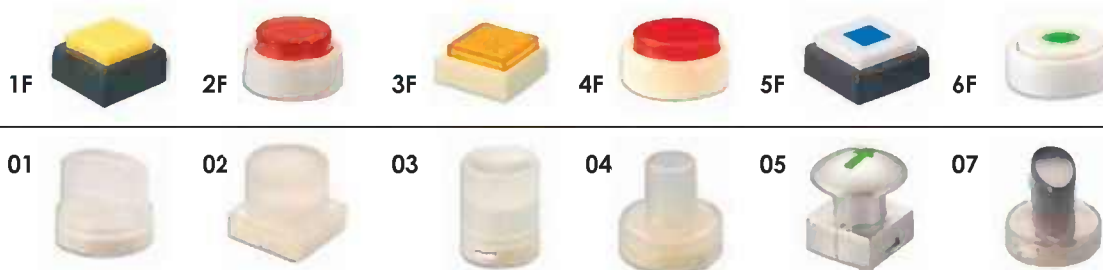
Rating	0.1A 30VDC
Insulation Resistance	100MΩ Min (at 500 VDC)
Dielectric Strength	AC 500V (50/60 Hz for 1 minute)
Contact Resistance	50mΩ Max. (Initial)
Electrically Life	10,000 Cycles Min
Ambient Temperature	-10°C~ +80°C
Operating Force	150 ± 100gf



» Product selection



1 BUTTON TYPE



ILLUMINATED



SWITCHES

2 FRAME

-	Without
F	With frame

3 FUNCTION

A	No n-illumina te d Alte ma te
B	No n - illumina te d Mo menta ry
AL	Illu mina te d Alte ma te
BL	Illu mina te d Mo menta ry

4 LED COLOR

1	Re d
2	Ye llo w
3	Gre en
4	Blue
5	White
6	Pure Gre en
12	Re d / Ye llo w
13	Re d / Gre en
23	Ye llo w / Gre en

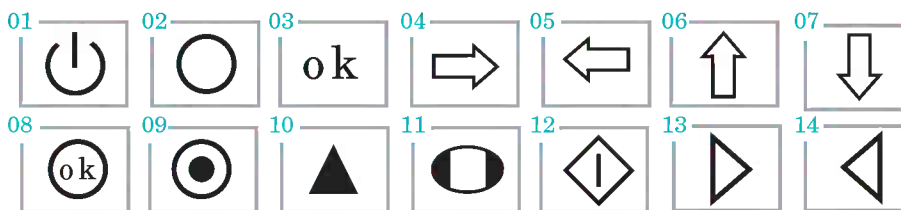
5 LED BRIGHTNESS

-	Sta nda rd
C	Custo miza tion

6 CAP SURFACE PROCESS

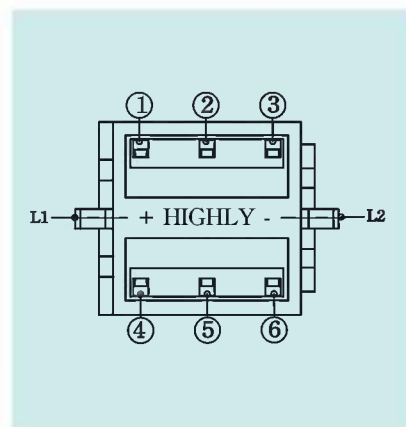
1	Misty Silver
2	Bright Silver
3	Gold

7 CAP SURFACE PROCESS SYMBOL



» Circuit

Type	Switch Action		
PB613A	Normal ON	Push to lock OFF	
Connecting Terminal	1 - 2 4 - 5	2 - 3 5 - 6	
PB613B	Normal ON	Push (ON)	
Connecting Terminal	1 - 2 4 - 5	2 - 3 5 - 6	
LED Circuit			



» LED Specifications

Color	VR	IF	Recommended Operating Current	VF	
				Nom	Max
Red	DC 5V	20mA	20mA	1.7V	2.4V
Green	DC 5V	20mA	20mA	1.9V	2.4V
Yellow	DC 5V	20mA	20mA	1.9V	2.4V
Blue	DC 5V	20mA	20mA	3.0V	3.6V
White	DC 5V	20mA	20mA	3.0V	3.6V

ILLUMINATED



SWITCHES

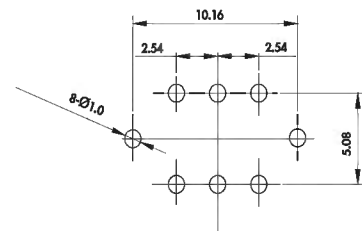
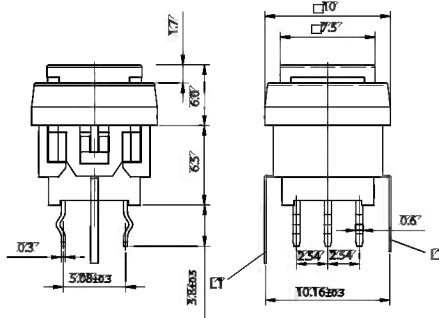
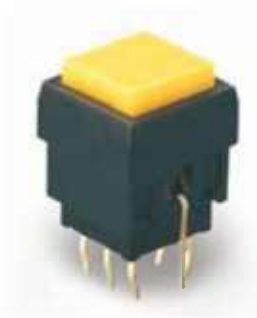
» Operating characteristics

Unit: mm

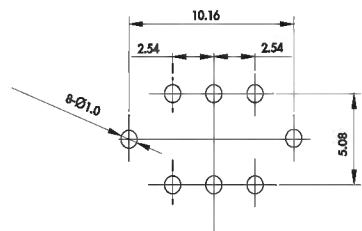
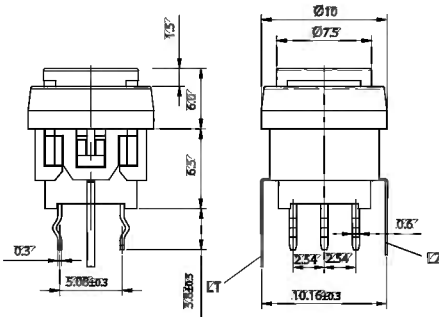
Dimensions

P.C.B Layout

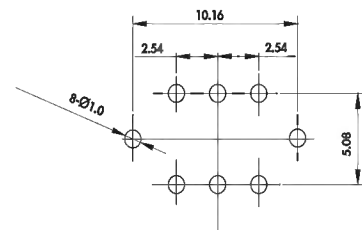
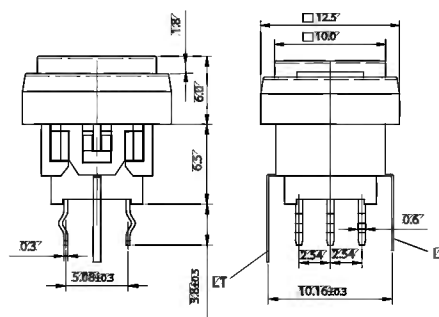
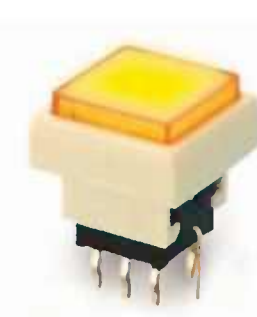
PB6131F □ L



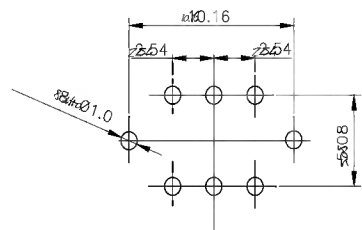
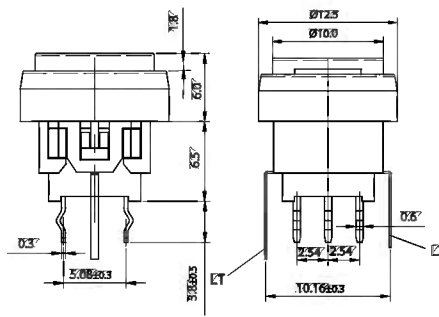
PB6132F □ L



PB6133F □ L



PB6134F □ L



ILLUMINATED



SWITCHES

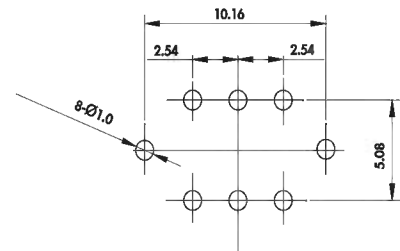
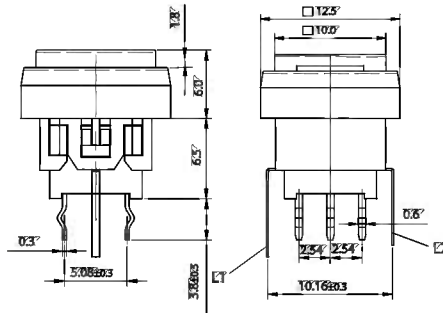
» Operating characteristics

Unit: mm

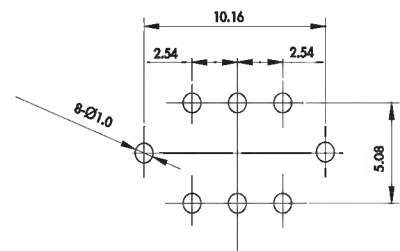
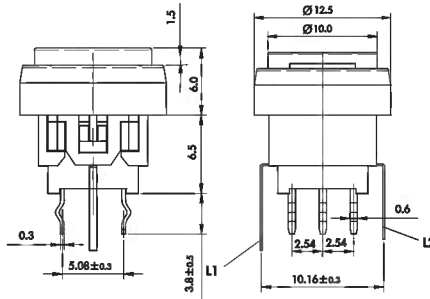
Dimensions

P.C.B Layout

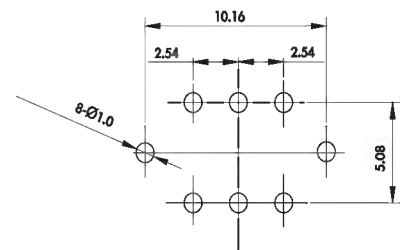
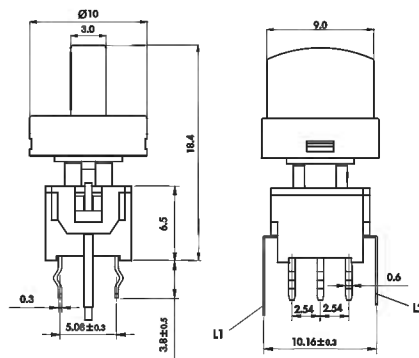
PB6135F □ L



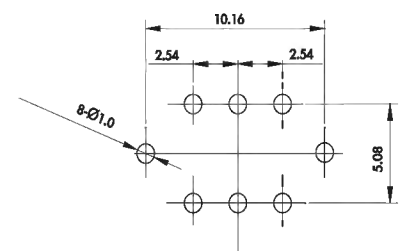
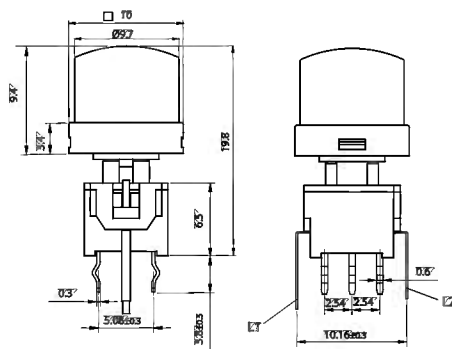
PB6136F □ L



PB61301 □ L



PB61302 □ L



ILLUMINATED



SWITCHES

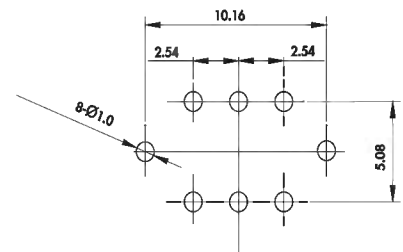
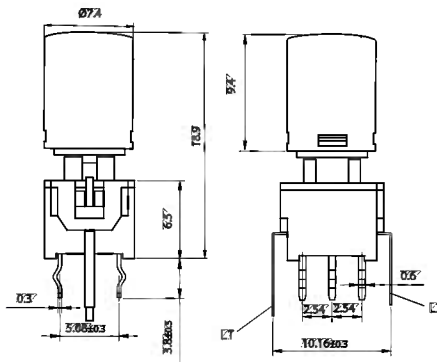
» Operating characteristics

Unit: mm

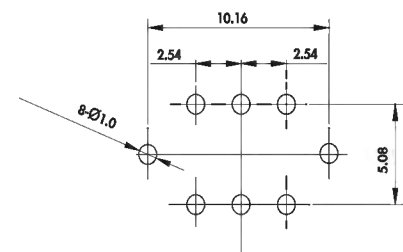
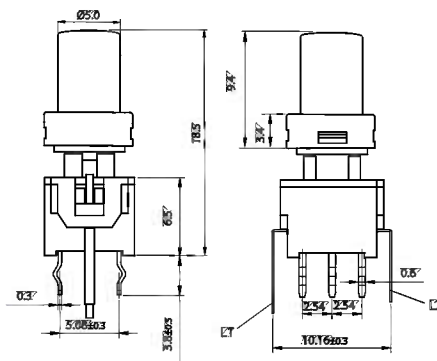
Dimensions

P.C.B Layout

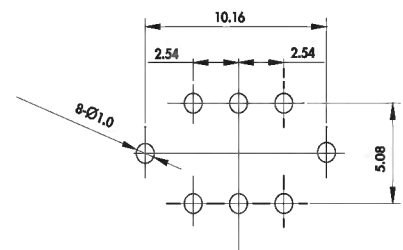
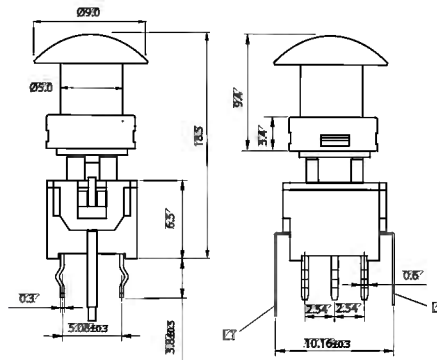
PB61303 L



PB61304 L



PB61305 L



PB61307 L

