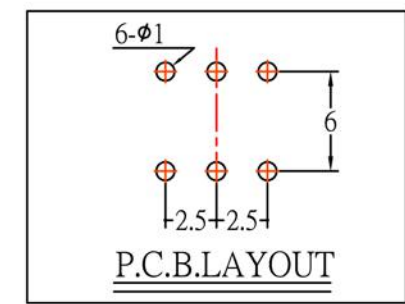
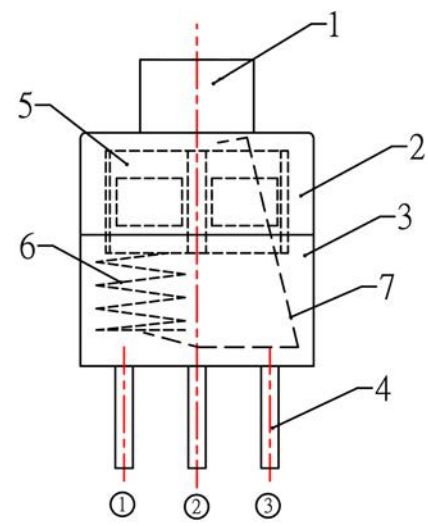
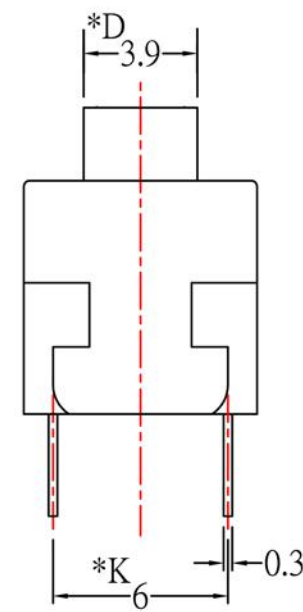
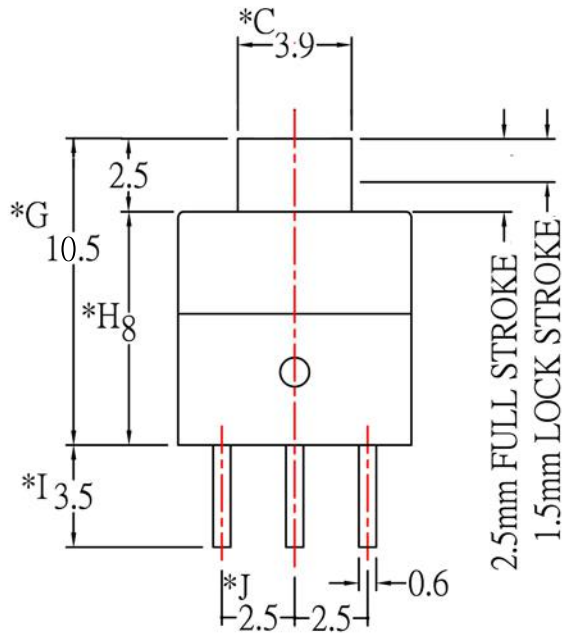


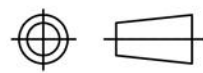
SCHMATIC



P.C.B.LAYOUT

* CRITICAL DIMENSION

CHI FUNG ELECTRONICS CO.,LTD.



7	CAM STICK	SUS	1	NATURAL
6	SPRING	SUS	1	NATURAL
5	CONTACT	C5210R-EH	2	Ag CLAD
4	TERMINAL	C2680R-EH	6	Ag COATING
3	CASE	PBT	1	BLACK
2	COVER	ACETAL	1	WHITE
1	KNOB	ACETAL	1	BLUE
NO.	PART NAME	MATERIAL	QTY	FINISHING

SERIES : PUSH SWITCH		DRAWING NO: CF-ENL-PS4013	
PART NAME: PS-22E81L(LOCKABLE)		GENERAL TOLERANCE	
UNIT : M M	DWN.	WITHIN 0.XXmm±0.15mm OVER 0.Xmm±0.25mm	
SCALE : 4:1	CHK'D		
REV : A/0	APPD.		