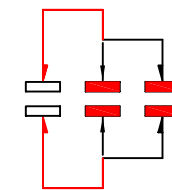
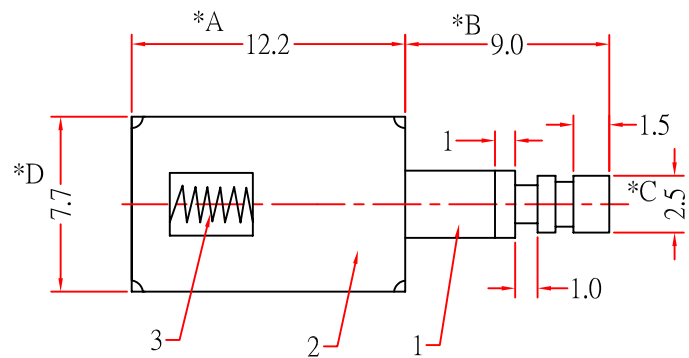


1

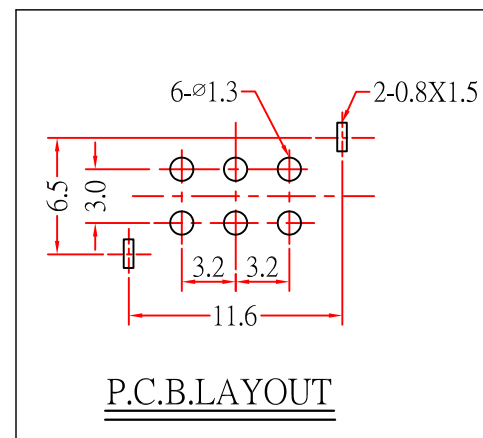
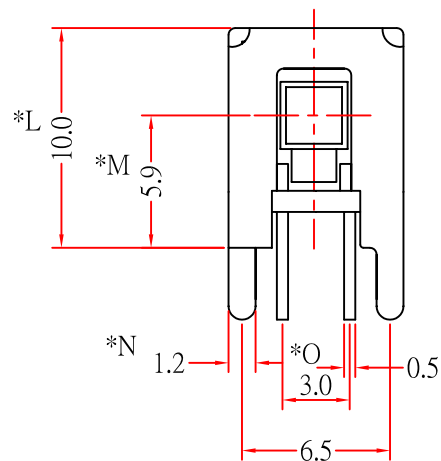
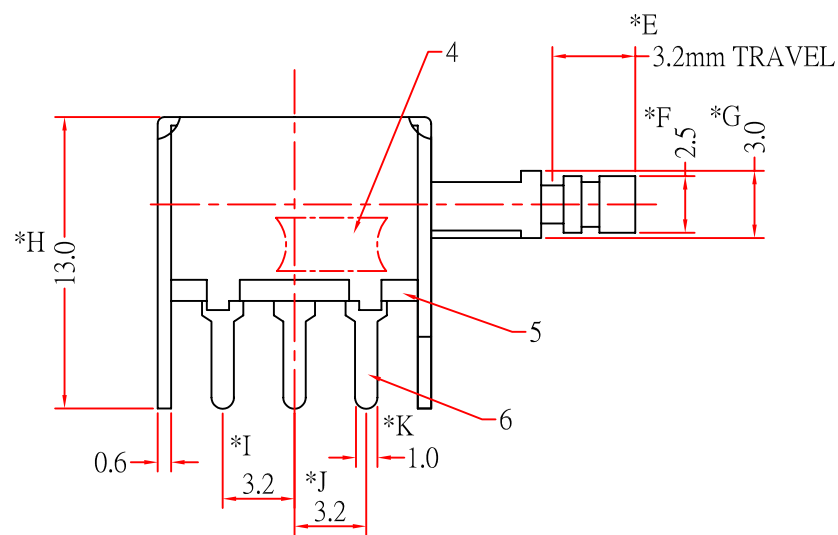
2

3

4

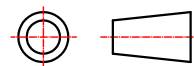


SCHMATIC



* CRITICAL DIMENSION

CHI FUNG ELECTRONICS CO., LTD.



SERIES : PUSH SWITCH
PART NAME: PS-22F01NL

DRAWING NO.: CF-ENL-PS4054
GENERAL TOLERANCE

UNIT : MM DWN.
SCALE : 3 : 1 CHK'D
REV : A/0 APPD.

WITHIN 0.XXmm±0.15mm
OVER 0.Xmm±0.25mm

7				
6	TERMINAL	BRASS	6	Ag COATING
5	BASE	PHENOLIC RESIN	1	NATURAL
4	CONTACT	C5210R-EH	2	Ag CLAD
3	SPRING	STEEL WIRE	1	TEMPER
2	FRAME	STEEL STRIP	1	Ni COATING
1	KNOB	POM	1	BLACK
NO.	PART NAME	MATERIAL	QTY	FINISHING

1

2

3

4