

1

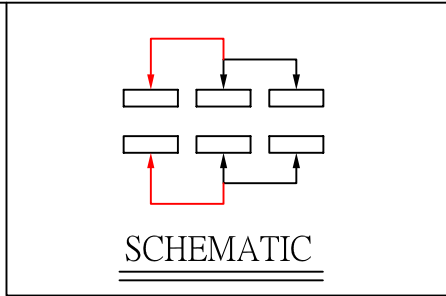
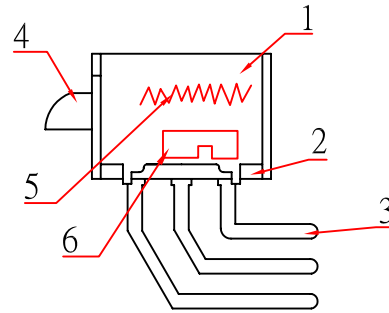
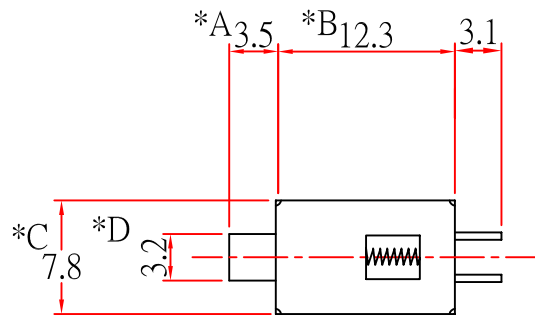
2

3

4

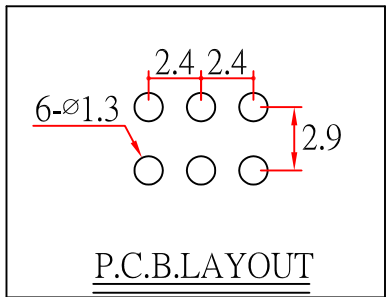
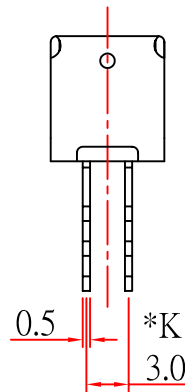
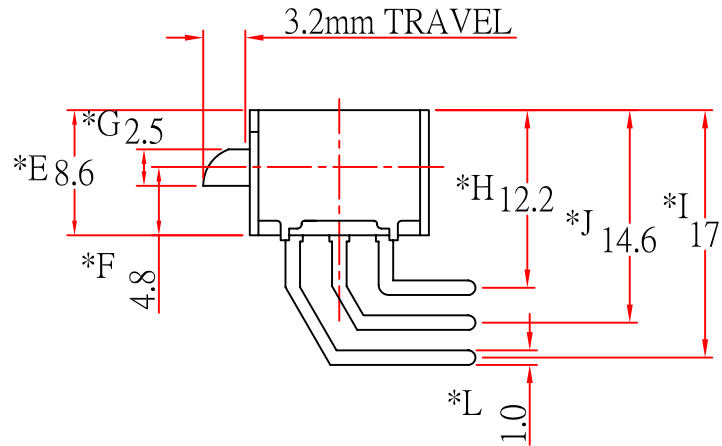
A

A



B

B



C

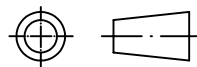
C

\* CRITICAL DIMENSION

D

D

CHI FUNG ELECTRONICS CO.,LTD.



SERIES : PUSH SLIDE SWITCH		DRAWING NO: CF-ENL-PS4049	
PART NAME: PS-22F17-G3.2		GENERAL TOLERANCE	
UNIT : M M	DWN.	WITHIN 0.XXmm±0.15mm OVER 0.Xmm±0.25mm	
SCALE : 2 :1	CHK'D		
REV : A/0	APPD.		

7			
6	CONTACT	C5210R-EH	2
5	SPRING	STEEL WIRE	1
4	KNOB	POM	1
3	TERMINAL	BRASS	6
2	CASE	PHENOLIC RESIN	1
1	FRAME	SPN	1
NO.	PART NAME	MATERIAL	QTY

		Ag CLAD	
		NATURAL	
		BLACK	
		Ag COATING	
		YELLOW	
		Ni COATING	
		FINISHING	

1

2

3

4