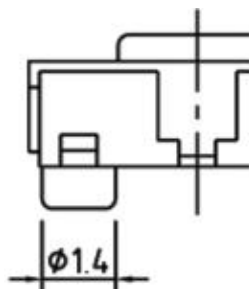
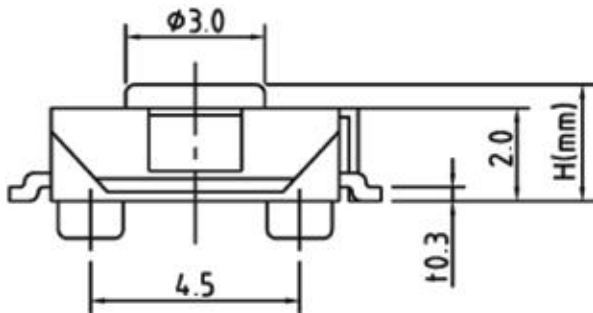
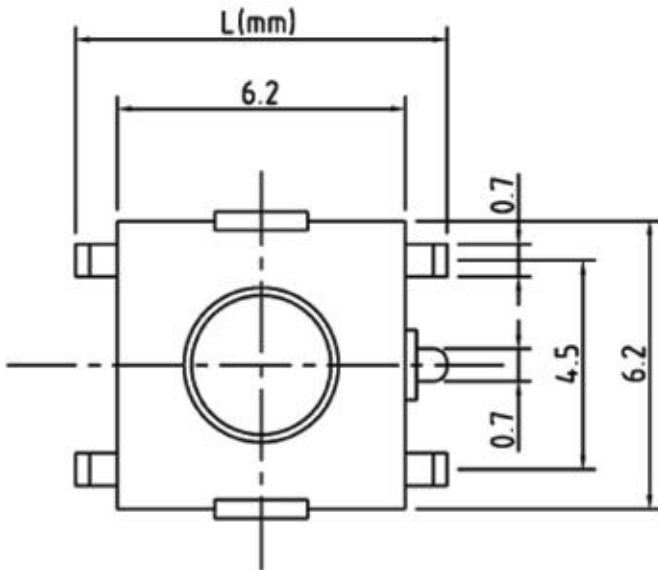
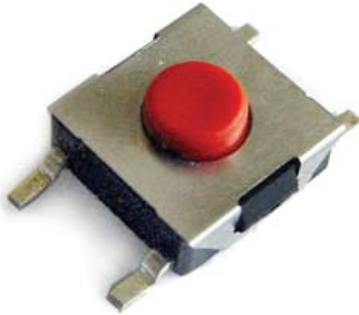


# Tact switches



## Specification

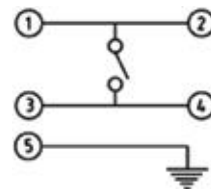
- Rating: DC 12V, 50mA Max
- Circuit: 1C — 1P
- Operating force: 130, 160gf, 250gf
- Contact resistance: 100m $\Omega$  Max
- Travel: 0.25mm
- Life: 100000 cycles Min
- Tolerance: 0.3mm

## TS-1157-BHND2

1 2 3 4 5

1. Max length (L), mm  
A - 0.8  
B - 10.0
2. Max height (H), mm  
S - 2.5  
H - 3.1
3. Embossing case  
E - with  
N - without
4. Ground cover  
P - with  
D - without
5. Operating force, gf  
1 - 130  
2 - 160  
3 - 250

## Circuit diagram



## PCB layout

