

REVISION		
POSITION	DESCRIPTION	DATE
△		

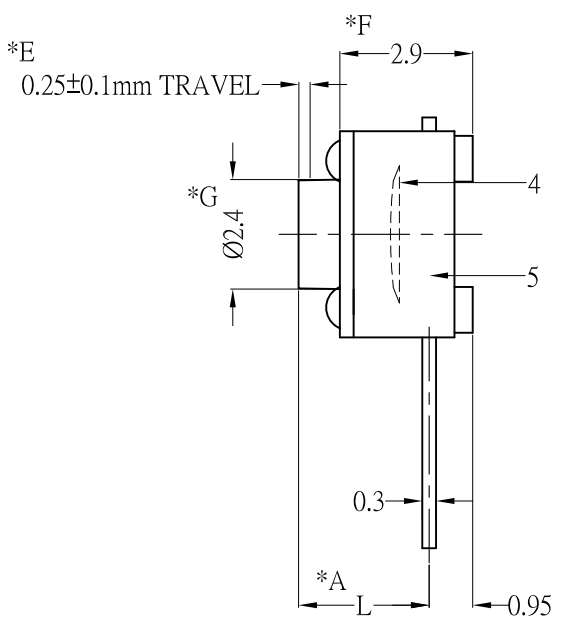
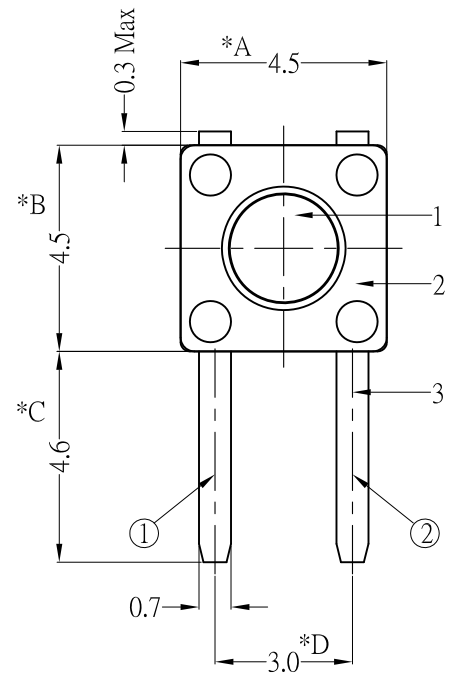
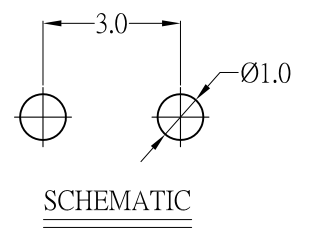
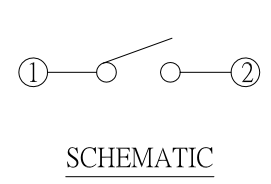


Table 1: stem height

L=	Y	2.85mm
	C	6.05mm

Table 2: operation force

F=	2	130gf
	4	180gf
	7	250gf



* CRITICAL DIMENSION

CHI FUNG ELECTRONICS CO.,LTD.				7				
SERIES : TACT SWITCH		DRAWING NO. CF-ENL-TS9025		6				
PART NAME :TS-04H-LFD-01		GENERAL TOLERANCE		5	CASE	PA66	1 BLACK	
UNIT : MM	DWN.	WITHIN X.XXmm±0.15mm OVER X.Xmm±0.25mm		4	CONTACT	SUS	1 Ag CLAD	
SCALE : 5:1	CHK'D			3	TERMINAL	BRASS STRIP	4	Ag COATING
REV : A/0	APPD.			2	COVER	SPCC	1	Ni COATING
				1	STEM	PA66	1 BLACK	
				NO.	PART NAME	MATERIAL	QTY FINISHING	