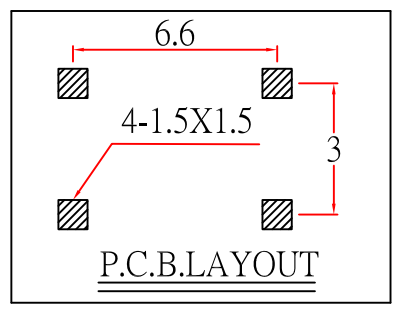
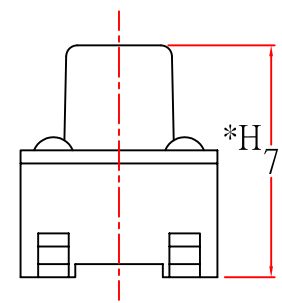
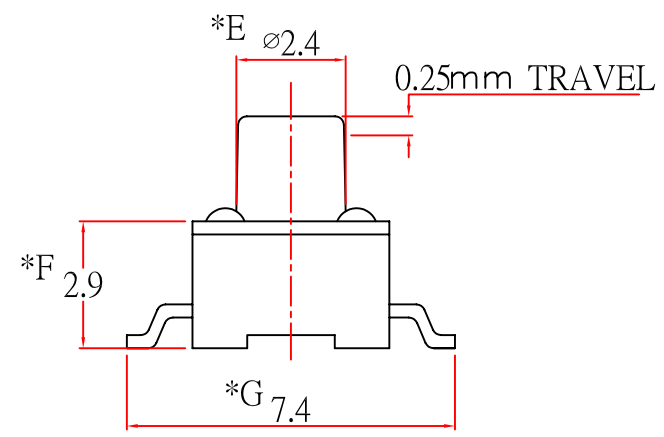


SCHEMATIC

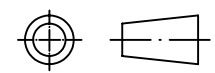
F=	L	130 gf
	S	160 gf
	H	250 gf



P.C.B.LAYOUT

* CRITICAL DIMENSION

CHI FUNG ELECTRONICS CO.,LTD.



SERIES : TACT SWITCH		DWN.	CHK'D	APPD.
PART NAME: TS-04M-AFP				
UNIT : M M				
SCALE : 5:1				
REV : A/0				

DRAWING NO:	CF-ENL-TS4066
GENERAL TOLERANCE	
WITHIN 0.XXmm±0.15mm	
OVER 0.Xmm±0.25mm	

7				
6				
5	TERMINAL	BRASS	4	Ag COATING
4	CASE	PA66	1	BLACK
3	CONTACT	SUS	1	Ag CLAD
2	COVER	PET	1	WHITE
1	STEM	PA66	1	BLACK
NO.	PART NAME	MATERIAL	QTY	FINISHING