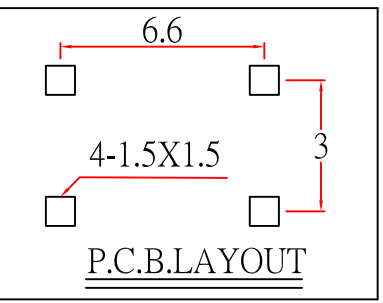
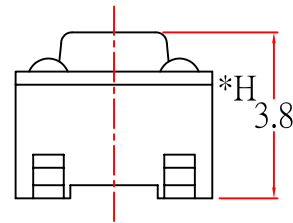
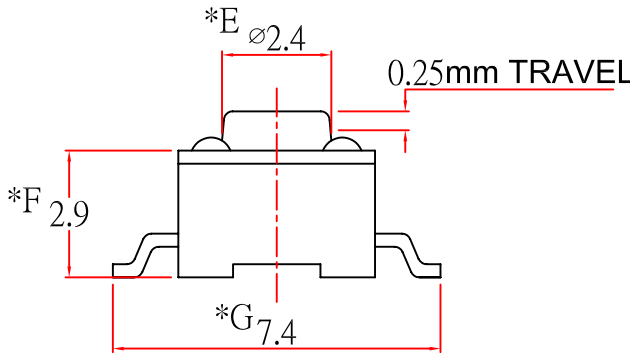
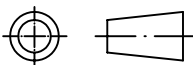


F=	I	100 gf
	L	130 gf
	S	160 gf
	H	250 gf



* CRITICAL DIMENSION

CHI FUNG ELECTRONICS CO.,LTD.



SERIES : TACT SWITCH		DRAWING NO: CF-ENL-TS4067		7			
PART NAME: TS-04M-BFP		GENERAL TOLERANCE		6			
UNIT : M M		DWN.		5	TERMINAL	BRASS	4 Ag COATING
SCALE : 5:1		CHK'D		4	CASE	PA66	1 BLACK
REV : A/0		APPD.		3	CONTACT	SUS	1 Ag CLAD
		WITHIN 0.XXmm±0.15mm		2	COVER	PET	1 WHITE
		OVER 0.Xmm±0.25mm		1	STEM	PA66	1 BLACK
				NO.	PART NAME	MATERIAL	QTY FINISHING