

1

2

3

4

A

B

C

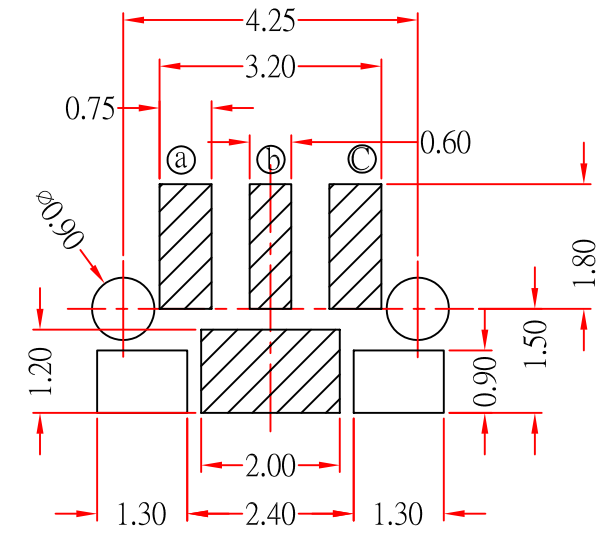
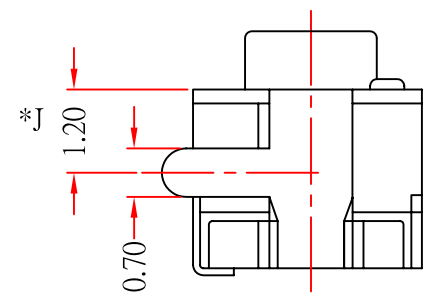
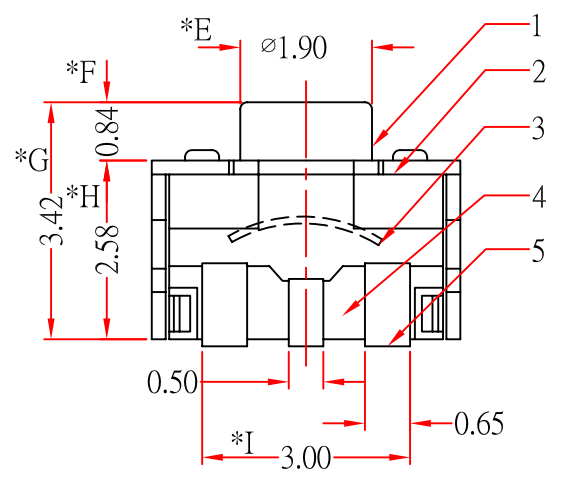
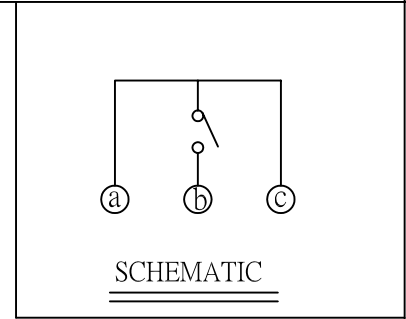
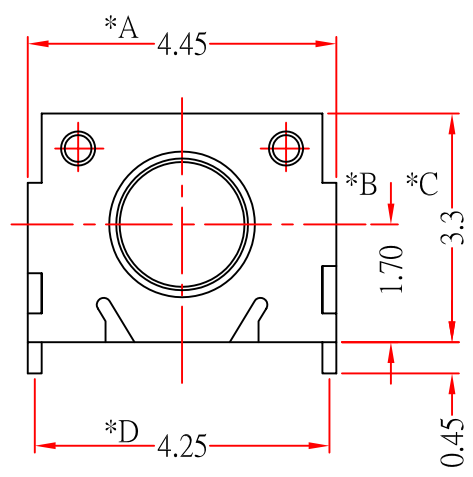
D

A

B

C

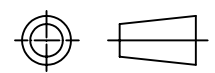
D



P.C.B.LAYOUT

\* CRITICAL DIMENSION

# CHI FUNG ELECTRONICS CO.,LTD.



SERIES : TACT SWITCH		DRAWING NO: CF-ENL-TS4453	
PART NAME: TS-04U		GENERAL TOLERANCE	
UNIT : M M	DWN.	WITHIN 0.XXmm±0.15mm OVER 0.Xmm±0.25mm	
SCALE : 1:1	CHK'D		
REV : A/0	APPD.		

7				
6				
5	TERMINAL	BRASS STRIP	3	Ag COATING
4	CASE	PA9T	1	BLACK
3	CONTACT	SPCC	1	Ag CLAD
2	COVER	SPN STRIP	1	Ag COATING
1	STEM	PA9T	1	BLACK
NO.	PART NAME	MATERIAL	QTY	FINISHING

1

2

3

4