

1

2

3

4

REVISION

POSITION

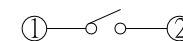
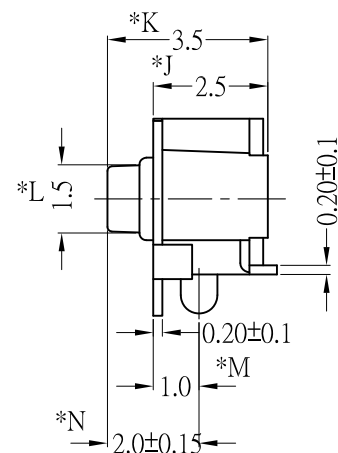
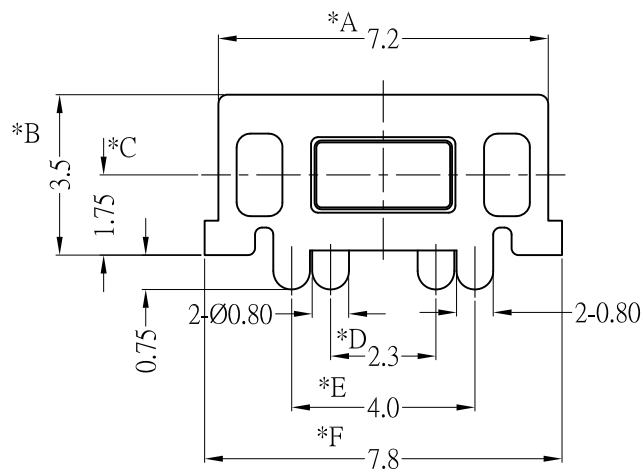
DESCRIPTION

DATE

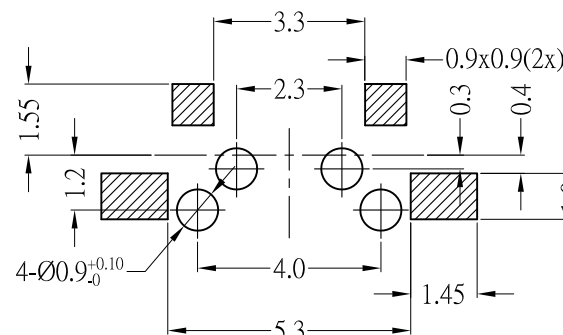
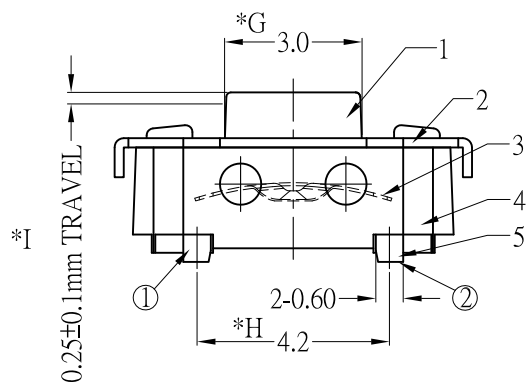


DIMENSION CHANGE

2011.10.18



SCHEMATIC



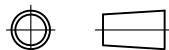
P.C.B.LAYOUT

Table 1: operation force

F=	1	130gf
	4	180gf
	7	250gf

* CRITICAL DIMENSION

CHI FUNG ELECTRONICS CO.,LTD.



7

6

5

4

3

2

1

NO.

TERMINAL

CASE

CONTACT

COVER

STEM

PART NAME

BRASS STRIP

PA6T

SUS

SUS

PA6T

MATERIAL

2

1

1

1

1

QTY

Ag COATING

WHITE

Ag CLAD

Ag COATING

BLACK

FINISHING

SERIES : TACT SWITCH

DRAWING NO.

CF-ENL-TS9028-4

PART NAME : TS-05M-1FD-06

GENERAL TOLERANCE

UNIT : MM

DWN.

X.XXmm±0.15mm

X.Xmm±0.25mm

SCALE : 5:1

CHK'D

REV : A/1

APPD.

1

2

3

4

A

B

C

D