

1

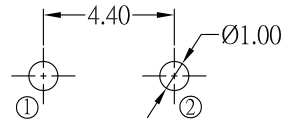
2

3

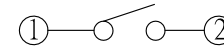
4

REVISION

POSITION	DESCRIPTION	DATE
△	Add stem height 6.0mm	2014.1.7



P.C.B.LAYOUT



SCHEMATIC

Table 1:stem height

L=(height)			
		A	4.3mm
	<input checked="" type="checkbox"/>	B	5.0mm
		C	7.0mm
		D	9.5mm
		E	13.0mm
	6	△ 6.0mm	
	7.3	7.3mm	
	8	8.0mm	
	12.5	12.5mm	
	13.5	13.5mm	
	17	17.0mm	

Table 3: stem color

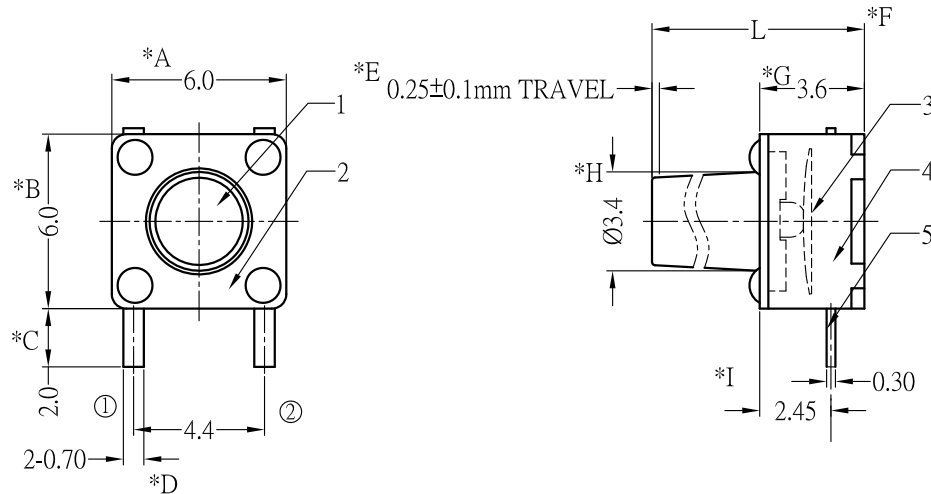
C=(color)		
	<input checked="" type="checkbox"/>	
	W	WHITE
	R	RED
	DG	GRAY
	Y	YELLOW
	BR	BROWN
	B	BLUE

Table 2:operation force

F=(force)		
		I
	L	130gf
<input checked="" type="checkbox"/>	S	160gf
	H	250gf

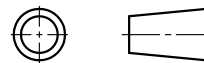
Table 4: cover material

G=(material)		
	<input checked="" type="checkbox"/>	PET
	SUS	NATURAL
	SPCC	Ni PLATED



*CRITICAL DIMENSION

CHI FUNG ELECTRONICS CO.,LTD.



SERIES :TACT SWITCH		DRAWING NO:		7				
PART NAME: TS-06H-LFG-C		GENERAL TOLERANCE		6				
UNIT : M M	DWN.			5	TERMINAL	BRASS STRIP	2	Ag COATING
SCALE : 5:1	CHK'D			4	CASE	PA66	1	BLACK
REV : A/1	APPD.			3	CONTACT	C5210R-EH	1	Ag CLAD
				2	COVER	PET/SUS/SPCC	1	MILKY/NATURAL/Ni PLATED
				1	STEM	PA66	1	ABOVE
				NO.	PART NAME	MATERIAL	QTY	FINISHING

1

2

3

4