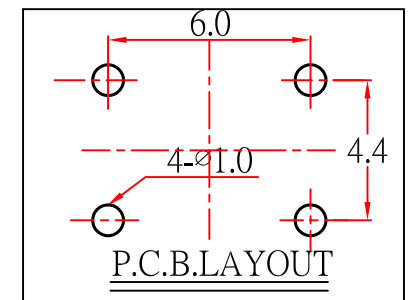
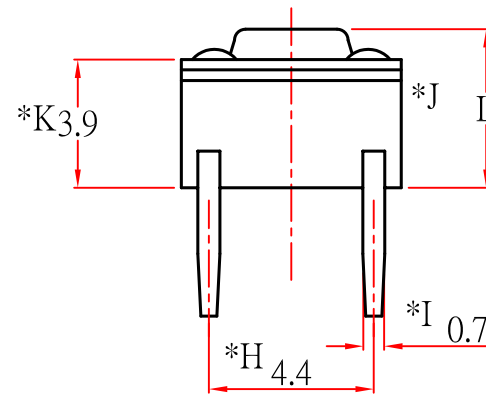
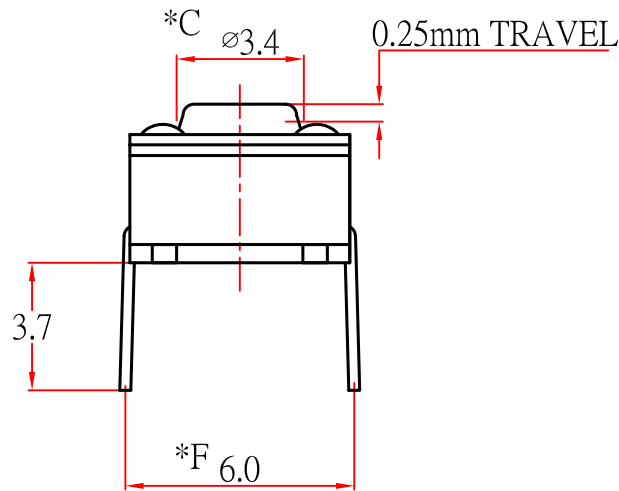


SCHEMATIC

L=	A	4.3 mm
	B	5.0 mm
	C	7.0 mm
	D	9.5 mm
	E	13.0 mm

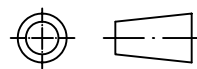
F=	I	100 gf
	L	130 gf
	S	160 gf
	H	250 gf



P.C.B.LAYOUT

* CRITICAL DIMENSION

CHI FUNG ELECTRONICS CO.,LTD.



7				
6				
5	TERMINAL	BRASS	4	Ag COATING
4	CASE	PA66	1	BLACK
3	CONTACT	C5210R-EH	1	Ag CLAD
2	COVER	SPN	2	Ni COATING
1	STEM	PA66	1	BLACK
NO.	PART NAME	MATERIAL	QTY	FINISHING

SERIES : TACT SWITCH		DRAWING NO: CF-ENL-TS4290-3	
PART NAME: TS-06L-LFM		GENERAL TOLERANCE	
UNIT : M M	DWN.	WITHIN 0.XXmm±0.15mm OVER 0.Xmm±0.25mm	
SCALE : 5:1	CHK'D		
REV : A/0	APPD.		