

1

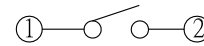
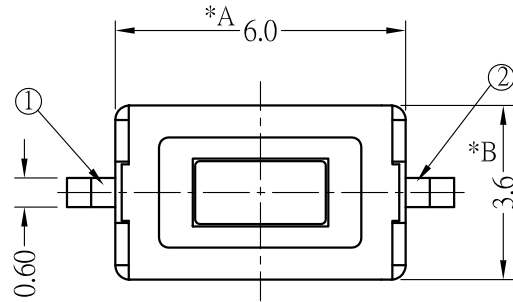
2

3

4

## REVISION

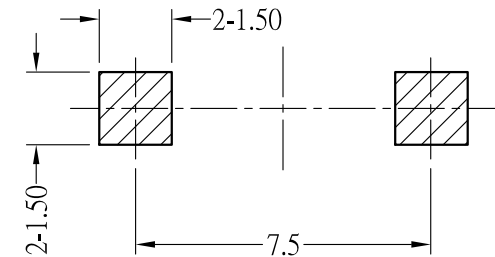
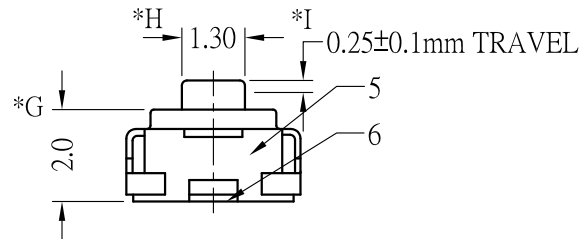
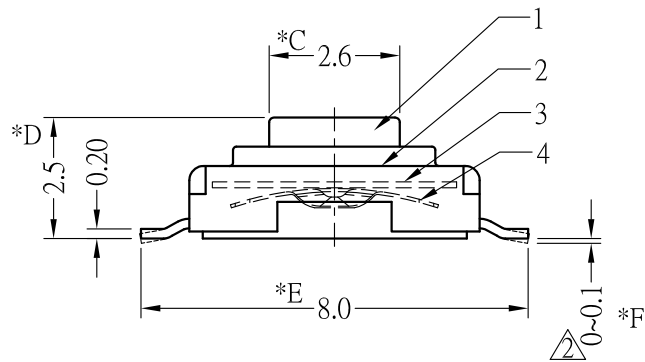
POSITION	DESCRIPTION	DATE
①	Add table (force spec)	2008-04-18
②	change the dimension	2009-01-04



SCHEMATIC

△ Table:force spec

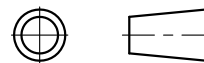
F=(force)		
	1	130gf
	2	180gf
	3	250gf



P.C.B.LAYOUT

\*CRITICAL DIMENSION

CHI FUNG ELECTRONICS CO.,LTD.



7				
6	TERMINAL	BRASS STRIP	2	Ag COATING
5	CASE	PA6T	1	BLACK/WHITE
4	CONTACT	SUS	2	Ag CLAD
3	SCREEN	TEFLON	1	GRAY
2	COVER	SUS	1	NATURAL
1	STEM	PA6T	1	BLACK/RED/WHITE
NO.	PART NAME	MATERIAL	QTY	FINISHING

SERIES :TACT SWITCH		DRAWING NO:	CF-ENL-TS4013
PART NAME: TS-1107GS-F		GENERAL TOLERANCE	
UNIT : M M	DWN.	WITHIN 0.XXmm±0.15mm OVER 0.Xmm±0.25mm	
SCALE : 5:1	CHK'D		
REV : A/2	APPD.		

1

2

3

4