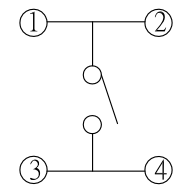
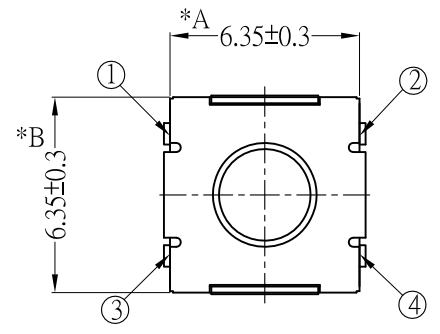


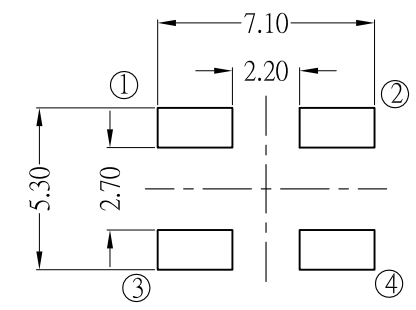
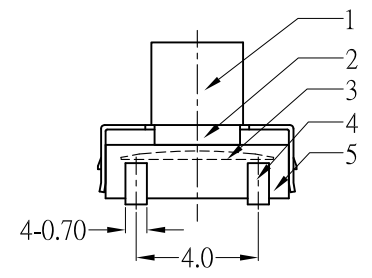
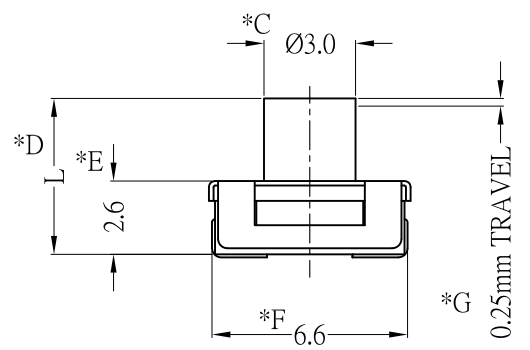
REVISION		
POSITION	DESCRIPTION	DATE
△		



SCHEMATIC

Table 1: stem height

L= height	1	2.6mm
	2	3.4mm
	3	5.1mm
	4	4.3mm



P.C.B.LAYOUT

* CRITICAL DIMENSION

A

A

B

B

C

C

D

D

CHI FUNG ELECTRONICS CO.,LTD.			7				
SERIES : TACT SWITCH		DRAWING NO. CF-ENL-TS4246-4	6				
PART NAME : TS-1110UL		GENERAL TOLERANCE	5	CASE	PA6T	1	BLACK
UNIT : MM	DWN.	WITHIN X.XXmm±0.15mm OVER X.Xmm±0.25mm	4	TERMINAL	BRASS STRIP	4	Ag COATING
SCALE : 5:1	CHK'D		3	CONTACT	SUS	1	Ag CLAD
REV : A/0	APPD.		2	COVER	SUS	1	NATURAL
			1	STEM	RUBBER	1	BLUE
			NO.	PART NAME	MATERIAL	QTY	FINISHING