

| REVISION | | |
|----------|----------------------------|------------|
| POSITION | DESCRIPTION | DATE |
| △ | From 7.0mm change to 7.2mm | 2011-01-25 |
| △ | PCB Layout change | 2012-08-03 |

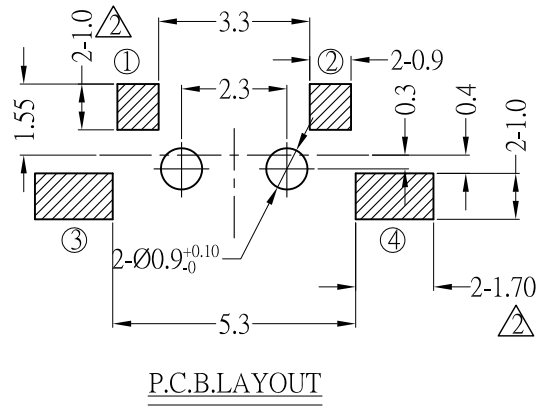
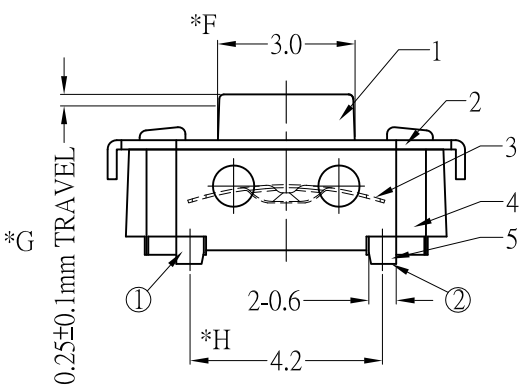
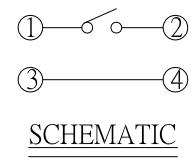
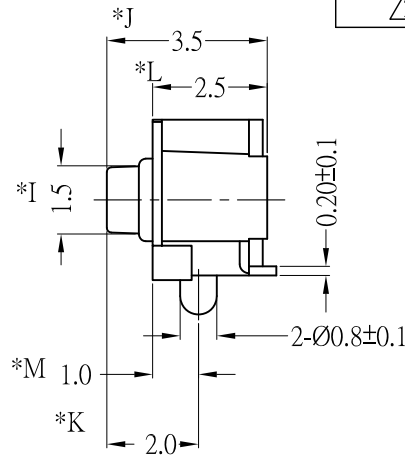
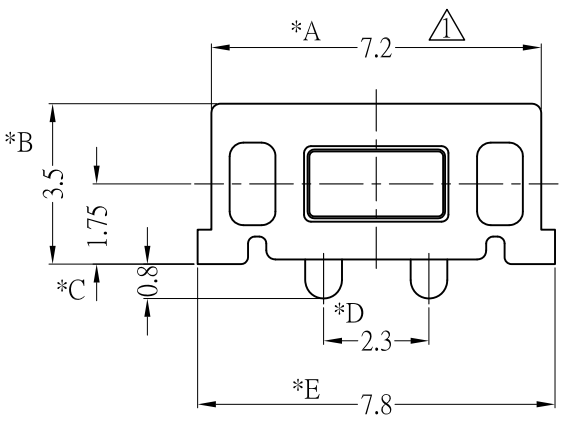


Table 1: operation force

| F= | | 1 | 130gf |
|----|--|---|-------|
| | | 2 | 180gf |
| | | 3 | 250gf |

* CRITICAL DIMENSION

| | | | | | | | |
|------------------------------|-------|-----------------------------|--|-----|-----------|-------------|---------------|
| CHI FUNG ELECTRONICS CO.,LTD | | | | 7 | | | |
| SERIES : TACT SWITCH | | DRAWING NO. CF-ENL-TS4031-3 | | 6 | | | |
| PART NAME :TS-1112E-F | | GENERAL TOLERANCE | | 5 | TERMINAL | BRASS STRIP | 2 Ag COATING |
| UNIT : MM | DWN. | | | 4 | CASE | PA6T | 1 BLACK/WHITE |
| SCALE : 5:1 | CHK'D | | | 3 | CONTACT | SUS | 1 Ag CLAD |
| REV : A/2 | APPD. | | | 2 | COVER | SUS | 1 Ag COATING |
| | | | | 1 | STEM | PA6T | 1 BLACK/WHITE |
| | | | | NO. | PART NAME | MATERIAL | QTY FINISHING |