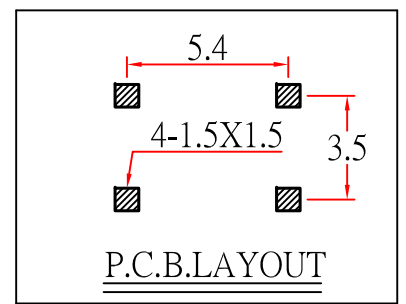
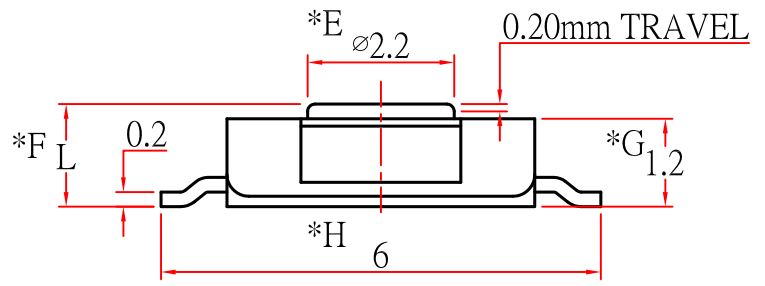


L=	A	1.5mm
	B	4.3mm

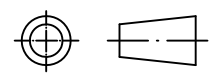
F=	1	130 gf
	2	180 gf
	3	250 gf

STEM COLOR	BLACK
	GREY



* CRITICAL DIMENSION

CHI FUNG ELECTRONICS CO.,LTD.



7				
6				
5	CASE	PA46	1	BLACK
4	TERMINAL	PBS STRIP	4	Ag COATING
3	CONTACT	SUS	1	Ag CLAD
2	COVER	SUS	1	NATURAL
1	STEM	PA46	1	ABOVE
NO.	PART NAME	MATERIAL	QTY	FINISHING

SERIES : TACT SWITCH		DRAWING NO: CF-ENL-TS4014	
PART NAME: TS-1127NL-F		GENERAL TOLERANCE	
UNIT : M M	DWN.	WITHIN 0.XXmm±0.15mm OVER 0.Xmm±0.25mm	
SCALE :10:1	CHK'D		
REV : A/0	APPD.		