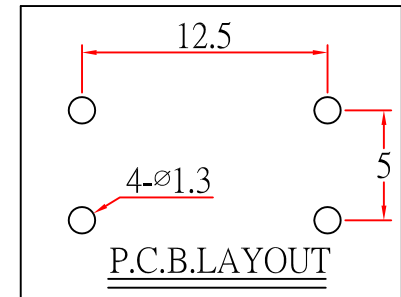
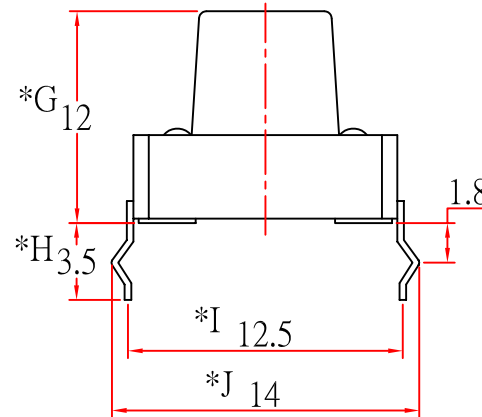
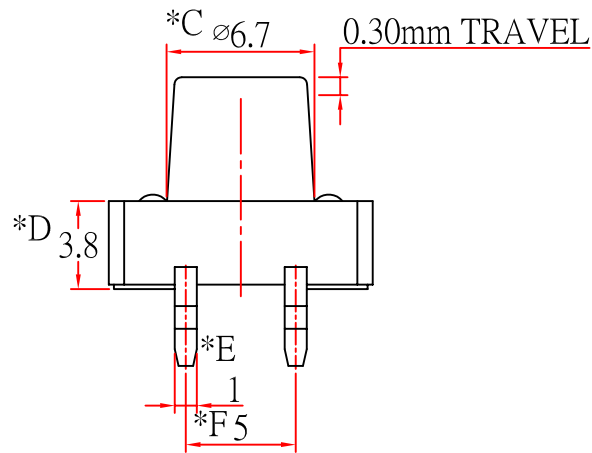


SCHEMATIC

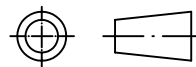
F=	L	130 gf
	S	160 gf
	H	250 gf

STEM COLOR	BLACK
	WHITE



* CRITICAL DIMENSION

CHI FUNG ELECTRONICS CO.,LTD.



SERIES : TACT SWITCH		DRAWING NO: CF-ENL-TS4161	
PART NAME: TS-12-12FP		GENERAL TOLERANCE	
UNIT : M M	DWN.	WITHIN 0.XXmm±0.15mm OVER 0.Xmm±0.25mm	
SCALE : 5:1	CHK'D		
REV : A/1	APPD.		

7				
6				
5	TERMINAL	BRASS	4	Ag COATING
4	CASE	PA66	1	BLACK
3	CONTACT	C5210R-EH	1	Ag CLAD
2	COVER	PET	1	MILKY
1	STEM	PA66	1	ABOVE
NO.	PART NAME	MATERIAL	QTY	FINISHING