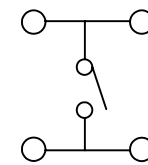
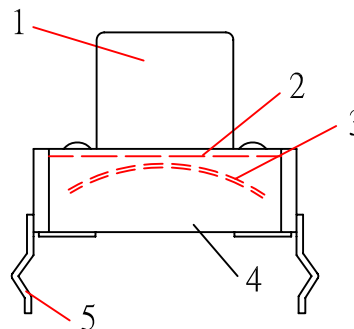
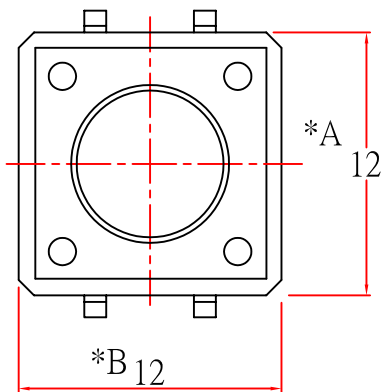


1

2

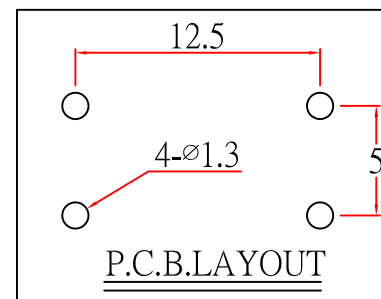
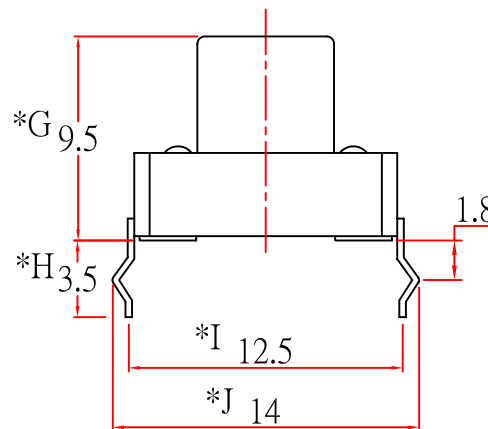
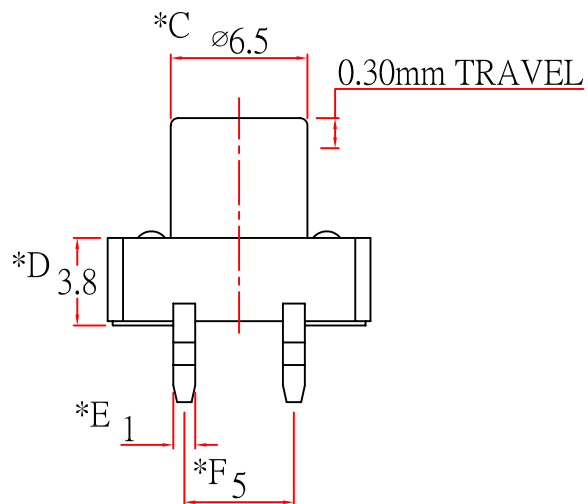
3

4



SCHEMATIC

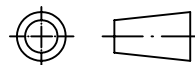
F=	L	130 gf
	S	160 gf
	H	250 gf



P.C.B.LAYOUT

* CRITICAL DIMENSION

CHI FUNG ELECTRONICS CO.,LTD.



SERIES : TACT SWITCH		DRAWING NO: CF-ENL-TS4177	
PART NAME: TS-12-DSP		GENERAL TOLERANCE	
UNIT : M M	DWN.	WITHIN 0.XXmm±0.15mm OVER 0.Xmm±0.25mm	
SCALE : 3:1	CHK'D		
REV : A/1	APPD.		

7				
6				
5	TERMINAL	BRASS	4	Ag COATING
4	CASE	PA66	1	BLACK
3	CONTACT	C5210R-EH	1	Ag CLAD
2	COVER	PBT	1	CLEAR
1	STEM	PBT	1	WHITE
NO.	PART NAME	MATERIAL	QTY	FINISHING

1

2

3

4