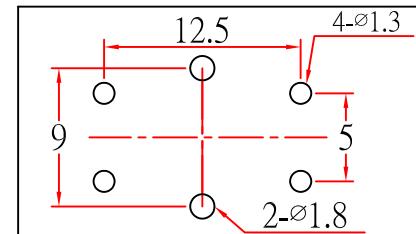
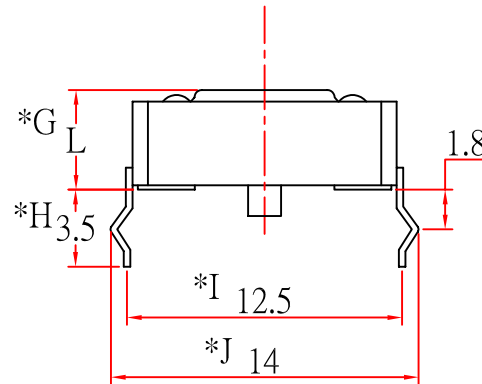
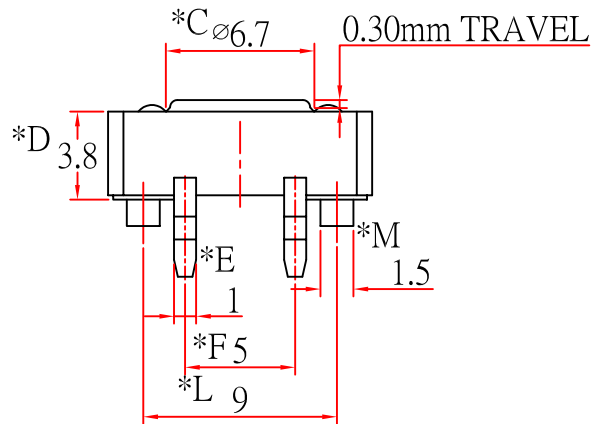


SCHEMATIC

| | | |
|----|---|--------|
| L= | A | 4.3 mm |
| | C | 7.5 mm |

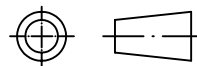
| | | |
|----|---|--------|
| F= | L | 130 gf |
| | S | 160 gf |
| | H | 250 gf |



P.C.B.LAYOUT

* CRITICAL DIMENSION

CHI FUNG ELECTRONICS CO.,LTD.



DRAWING NO: CF-ENL-TS4168-1

GENERAL TOLERANCE

WITHIN 0.XXmm±0.15mm
OVER 0.Xmm±0.25mm

SERIES : TACT SWITCH

PART NAME: TS-12-LFM

UNIT : M M

DWN.

SCALE : 3:1

CHK'D

REV : A/1

APPD.

| | | | | |
|-----|-----------|-----------|-----|------------|
| 7 | | | | |
| 6 | | | | |
| 5 | TERMINAL | BRASS | 4 | Ag COATING |
| 4 | CASE | PA66 | 1 | BLACK |
| 3 | CONTACT | C5210R-EH | 1 | Ag CLAD |
| 2 | COVER | SPN STRIP | 1 | Ni COATING |
| 1 | STEM | PA66 | 1 | BLACK |
| NO. | PART NAME | MATERIAL | QTY | FINISHING |