

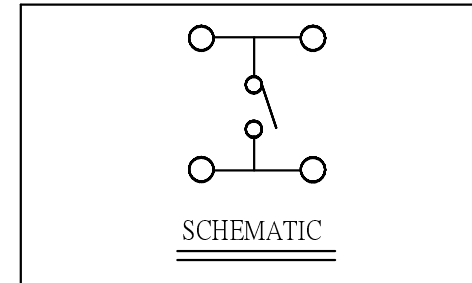
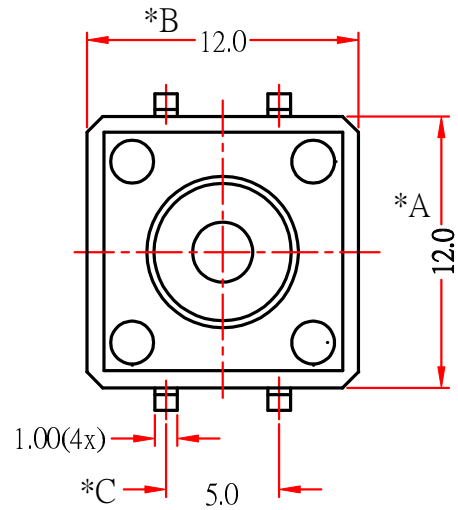
1

2

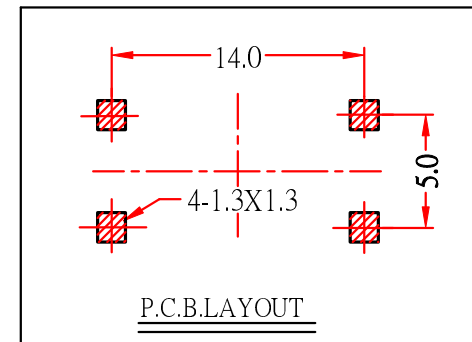
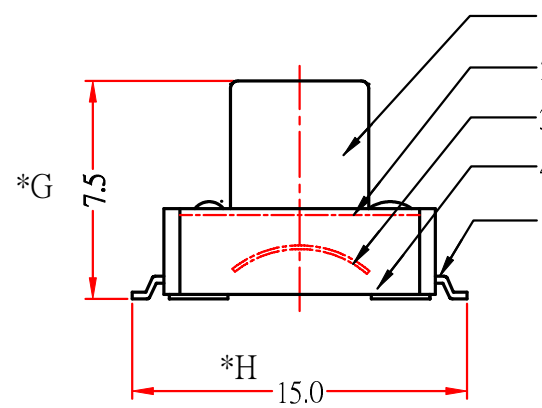
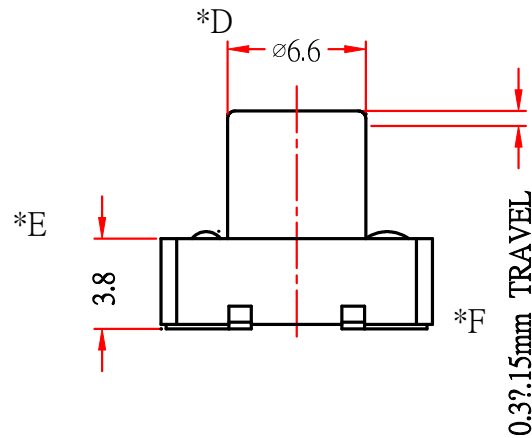
3

4

REVISION		
POSITION	DESCRIPTION	DATE
△		

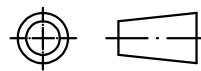


F=	L	130 gf
	S	160 gf
	H	250 gf
	E	350 gf



* CRITICAL DIMENSION

CHI FUNG ELECTRONICS CO.,LTD.



SERIES : TACT SWITCH		DRAWING NO: CF-ENL-TS4485-1		7			
PART NAME: TS-12M-CFM-T		GENERAL TOLERANCE		6			
UNIT : M M	DWN.	WITHIN 0.XXmm?.15mm OVER 0.Xmm?.25mm		5	TERMINAL	BRASS	4 Ag COATING
SCALE : 3:1	CHK'D			4	CASE	PA6T	1 BLACK
REV : A/0	APPD.			3	CONTACT	C5210R-EH	1 Ag CLAD
				2	COVER	SPN	1 Ni COATING
		1	STEM	PA6T	1 BLACK		
		NO.	PART NAME	MATERIAL	QTY	FINISHING	

1

2

3

4