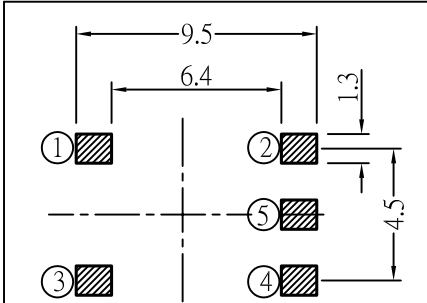


SCHEMATIC

L=	A	4.3 mm
	B	5.0 mm
	C	7.0 mm
	D	9.5 mm
	E	13.0 mm

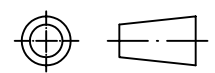
F=	I	100 gf
	L	130 gf
	S	160 gf
	H	250 gf



P.C.B.LAYOUT

* CRITICAL DIMENSION

CHI FUNG ELECTRONICS CO.,LTD.



SERIES : TACT SWITCH		DRAWING NO: CF-ENL-TS4416	
PART NAME: TS-16M-LFM-P (9.0)		GENERAL TOLERANCE	
UNIT : M M	DWN.	WITHIN 0.XXmm±0.15mm OVER 0.Xmm±0.25mm	
SCALE : 5:1	CHK'D		
REV : A/3	APPD.		

5	TERMINAL	BRASS(C2680-EH)	4	Ag COATING
4	COVER	SPN STRIP	1	Sn COATING
3	CONTACT	PBS(C5210R-EH)	1	Ag CLAD
2	CASE	PA46	1	BLACK
1	STEM	PA46	1	BLACK
NO.	PART NAME	MATERIAL	QTY	FINISHING

5	TERMINAL	BRASS(C2680-EH)	4	Ag COATING
4	COVER	SPN STRIP	1	Sn COATING
3	CONTACT	PBS(C5210R-EH)	1	Ag CLAD
2	CASE	PA46	1	BLACK
1	STEM	PA46	1	BLACK
NO.	PART NAME	MATERIAL	QTY	FINISHING