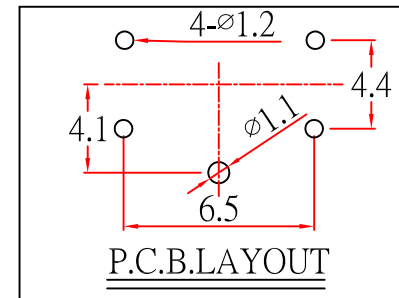
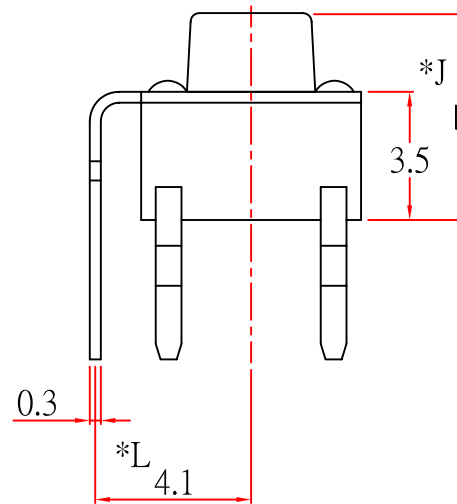
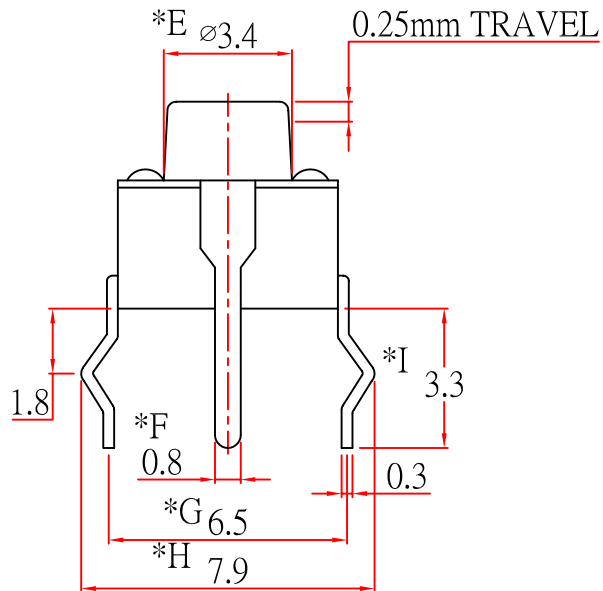


SCHEMATIC

| | | |
|----|---|--------|
| L= | A | 4.3 mm |
| | B | 5 mm |
| | C | 7 mm |
| | D | 9.5 mm |
| | E | 13 mm |

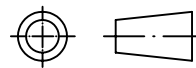
| | | |
|----|---|--------|
| F= | I | 100 gf |
| | L | 130 gf |
| | S | 160 gf |
| | H | 250 gf |

| | |
|------------|-------|
| STEM COLOR | BLACK |
| | RED |



* CRITICAL DIMENSION

CHI FUNG ELECTRONICS CO.,LTD.



DRAWING NO: CF-ENL-TS4110

GENERAL TOLERANCE

WITHIN 0.XXmm±0.15mm

OVER 0.Xmm±0.25mm

SERIES : TACT SWITCH

PART NAME: TS-16V-LF

UNIT : M M

SCALE : 5:1

REV : A/1

DWN.

CHK'D

APPD.

| | | | | |
|-----|-----------|-----------|-----|------------|
| 7 | | | | |
| 6 | | | | |
| 5 | TERMINAL | BRASS | 4 | Ag COATING |
| 4 | CASE | PA66 | 1 | BLACK |
| 3 | CONTACT | C5210R-EH | 1 | Ag CLAD |
| 2 | COVER | SPN STRIP | 1 | Ni COATING |
| 1 | STEM | PA66 | 1 | ABOVE |
| NO. | PART NAME | MATERIAL | QTY | FINISHING |