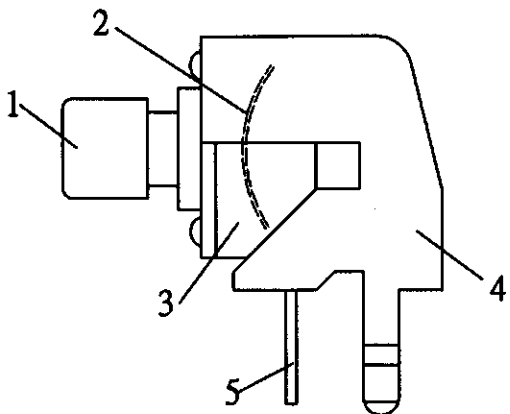


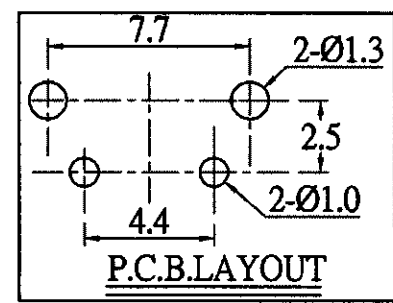
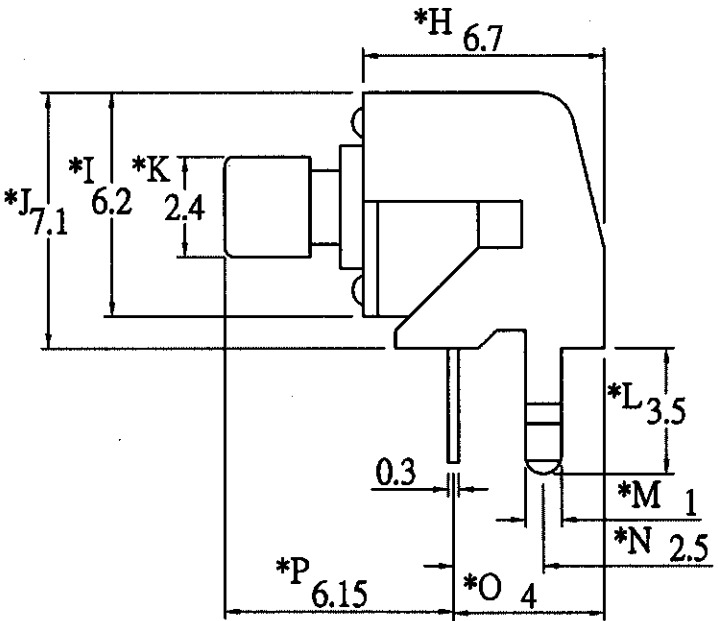
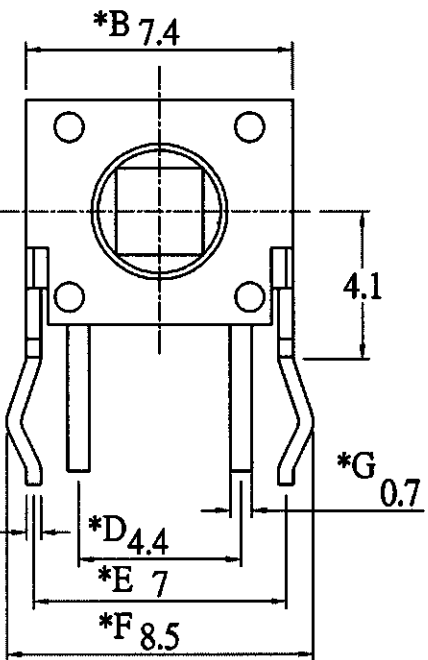
0.25mm TRAVEL

*A 2.4



SCHEMATIC

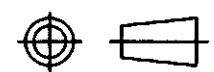
F=	I	100 gf
	L	130 gf
	S	160 gf
	H	250 gf



P.C.B.LAYOUT

* CRITICAL DIMENSION

CHI FUNG ELECTRONICS CO.,LTD.



7				
6				
5	TERMINAL	BRASS	2	Ag COATING
4	COVER	SPN STRIP	1	Ni COATING
3	CASE	PA66	1	BLACK
2	CONTACT	C5210R-EH	1	Ag CLAD
1	STEM	PBT	1	BLACK
NO.	PART NAME	MATERIAL	QTY	FINISHING

SERIES : TACT SWITCH		DRAWING NO: CF-ENL-TS4150	
PART NAME: TS-27-TF(2.4X2.4)		GENERAL TOLERANCE	
UNIT : M M	DWN. <i>[Signature]</i>	WITHIN 0.XXmm±0.15mm	
SCALE : 5:1	CHK'D <i>[Signature]</i>	OVER 0.Xmm±0.25mm	
REV : A/0	APPD. <i>[Signature]</i>		

1

2

3

4