

1

2

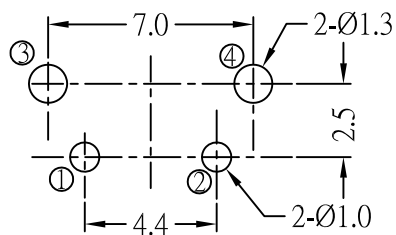
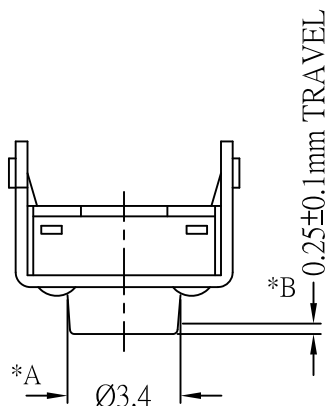
3

4

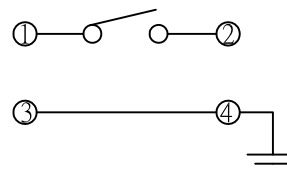
REVISION

POSITION	DESCRIPTION	DATE
△	Add table 3 (stem color)	2008-08-29

A



P.C.B.LAYOUT

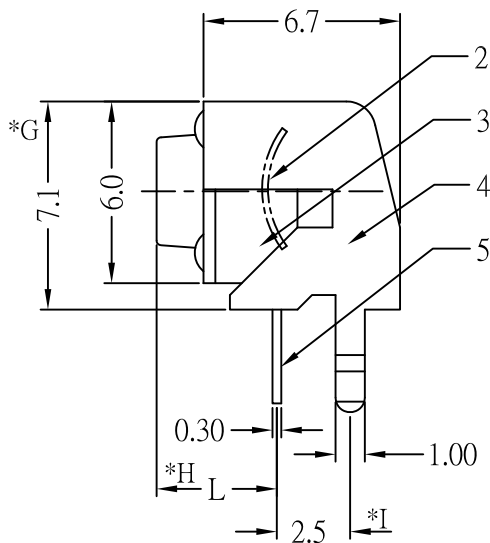
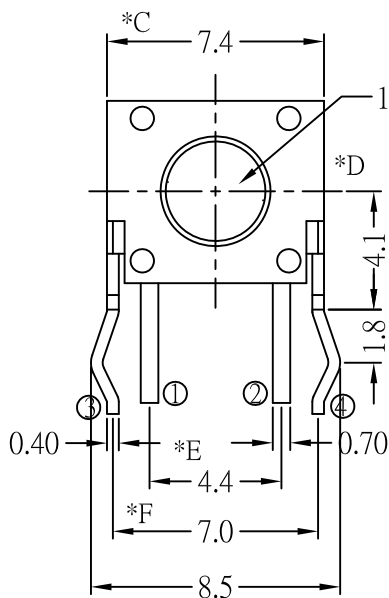


SCHEMATIC

Table 1 : stem height

L= (height)		
	Code	Height
	A	3.15mm
	B	3.85mm
	C	5.85mm
	D	8.35mm
	E	11.85mm
	7.3	6.15mm
	8	6.85mm
	9	7.85mm
	12.5	11.35mm
	13.5	12.35mm
	17	15.85mm

B



* CRITICAL DIMENSION

Table 2 : operating force

F= (force)		
	Code	Force
	I	100gf
	L	130gf
	S	160gf
	H	250gf

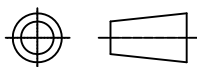
C

△Table 3 : stem color

C= (stem color)		
	Code	Color
	R	BLACK
	DG	RED
	W	GRAY
	Y	WHITE
	BR	YELLOW
		BROWN

D

CHI FUNG ELECTRONICS CO.,LTD.



5	TERMINAL	BRASS	2	Ag COATING
4	COVER	SPN STRIP	1	Sn COATING
3	CASE	PA66	1	BLACK
2	CONTACT	C5210R-EH	1	Ag CLAD
1	STEM	PA66	1	ABOVE
NO.	PART NAME	MATERIAL	QTY	FINISHING

SERIES : TACT SWITCH

DRAWING NO: CF-ENL-TS4149

PART NAME:TS-27-LF-2-C

GENERAL TOLERANCE

UNIT : M M

DWN.

SCALE : 5:1

CHK'D

REV : A/1

APPD.

WITHIN 0.XXmm±0.15mm

OVER 0.Xmm±0.25mm

1

2

3

4

D