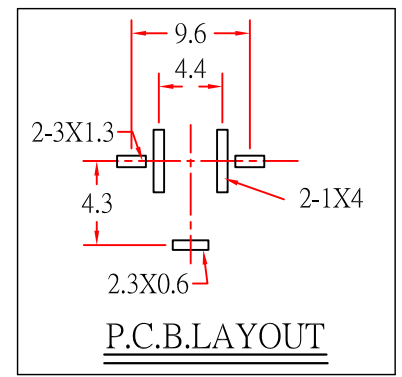
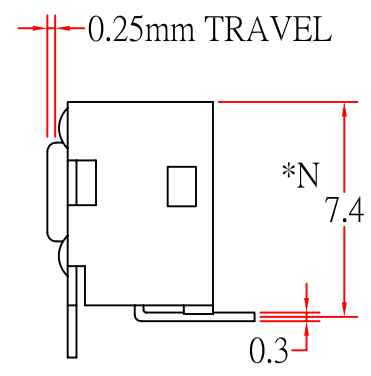
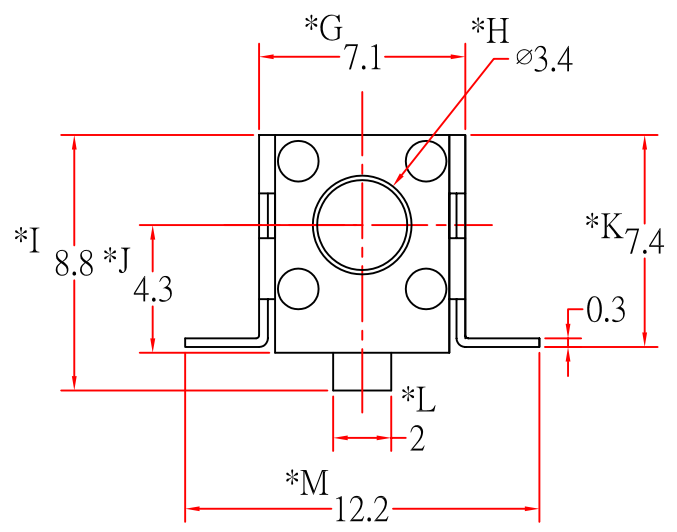


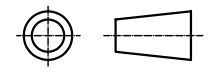
L=	A	4.3 mm
	B	5.0 mm
	C	7.0 mm
	D	9.5 mm
	E	13.0 mm

F=	I	100 gf
	L	130 gf
	S	160 gf
	H	250 gf



* CRITICAL DIMENSION

CHI FUNG ELECTRONICS CO.,LTD.



SERIES : TACT SWITCH		DRAWING NO.: CF-ENL-TS4179	
PART NAME: TS-35M-LF-3		GENERAL TOLERANCE	
UNIT : MM	DWN.	WITHIN 0.XXmm±0.15mm OVER 0.Xmm±0.25mm	
SCALE : 4 : 1	CHK'D		
REV : A/0	APPD.		

7				
6				
5	TERMINAL	BRASS	2	Ag COATING
4	CASE	PA66	1	BLACK
3	CONTACT	C5210R-EH	1	Ag CLAD
2	COVER	SPN STRIP	1	Ni COATING
1	STEM	PA66	1	BLACK
NO.	PART NAME	MATERIAL	QTY	FINISHING