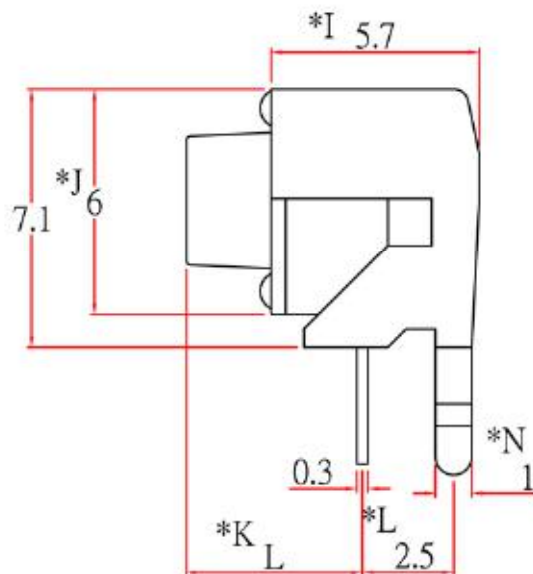
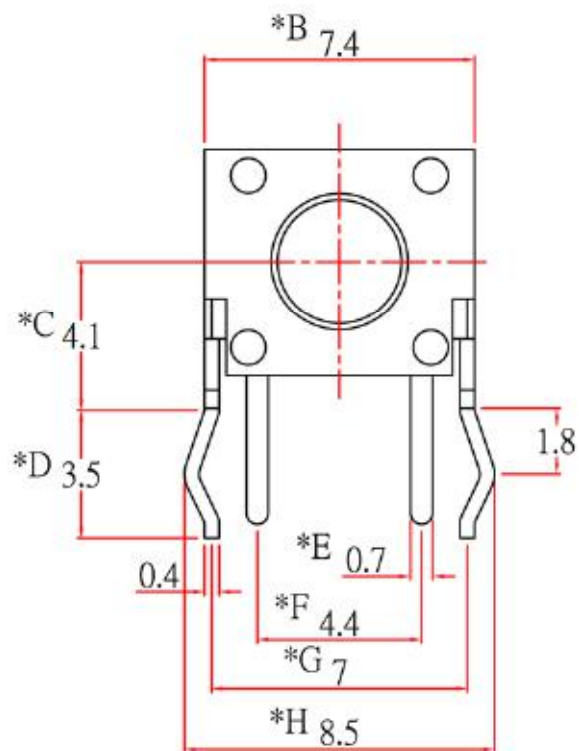


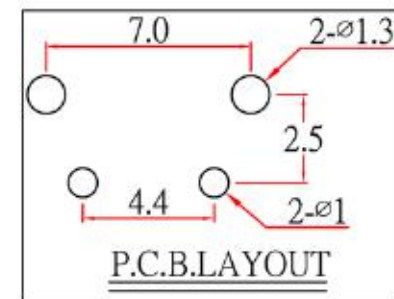
SCHEMATIC

L= (height)	A	3.15 mm
	B	3.85 mm
	C	5.85 mm
	D	8.35 mm
	E	11.85 mm



F=	L	130 gf
	S	160 gf
	H	250 gf

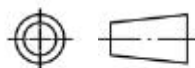
STEM COLOR	BLACK
	GREY



P.C.B.LAYOUT

\* CRITICAL DIMENSION

CHI FUNG ELECTRONICS CO.,LTD.



7				
6				
5	TERMINAL	BRASS	2	Ag COATING
4	CASE	PA66	1	BLACK
3	CONTACT	C5210R-EH	1	Ag CLAD
2	COVER	SPN STRIP	1	Ni COATING
1	STEM	PA66	1	ABOVE
NO.	PART NAME	MATERIAL	QTY	FINISHING

SERIES : TACT SWITCH		DRAWING NO: CF-ENL-TS4158	
PART NAME: TS-37-LF		GENERAL TOLERANCE	
UNIT : M M	DWN.	WITHIN 0.XXmm±0.15mm OVER 0.Xmm±0.25mm	
SCALE : 5:1	CHK'D		
REV : A/1	APPD.		