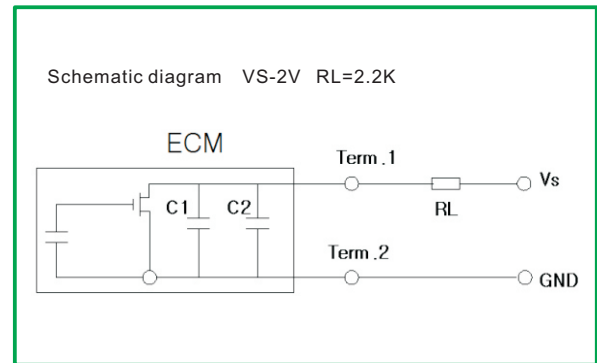
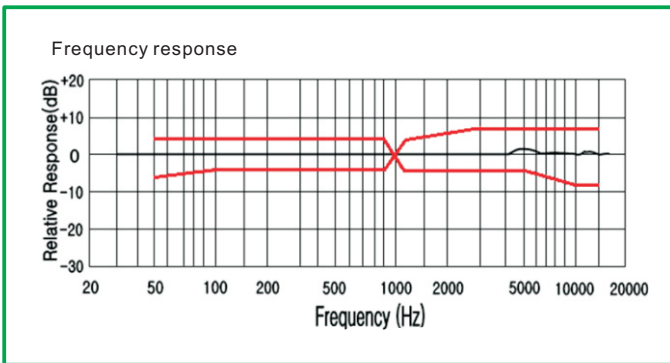
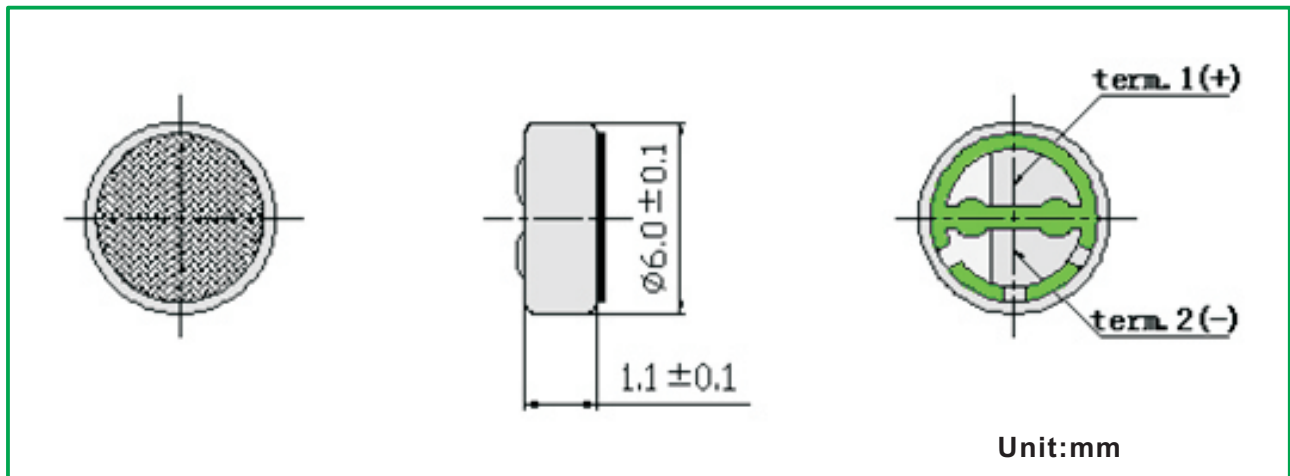


Mini Microphone

Omni-direction mini microphone MM6011 Serie

Specifications:

- Sensitivity(1KHz,0dB=1V/Pa): $-42\pm 3\text{dB}$; $-44\pm 3\text{dB}$
- Directivity: Omnidirectional
- Impedance: $2.2\text{K}\Omega$ Max.
- Current consumption: 0.5mA Max.
- Operation voltage: $1.0\sim 10\text{V}$
- S/N ratio: 60dB Min.
- Sensitivity vs. Voltage: 3dB Max. at $V_S=2.0\text{V}\sim 1.5\text{V}$
- Std. Test Condition: $94\text{dB S.P.L @ }1\text{KHz } V_S=2.0\text{V}$
- Frequency: $20\sim 16,000\text{Hz}$



ORDER INFORMATION

Product NO.: **KLS3 - MM 6011 P - 443**

- Omni-Direction mini microphone Series
- Dimensions
- Note: Soldering
- P: Pin Type
- W: Wire type
- Sensitivity