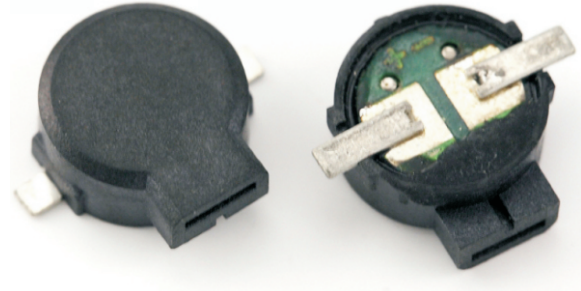


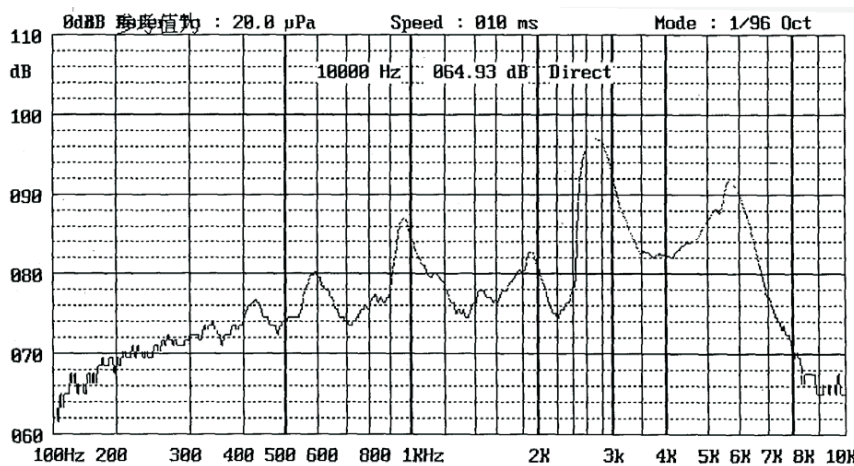
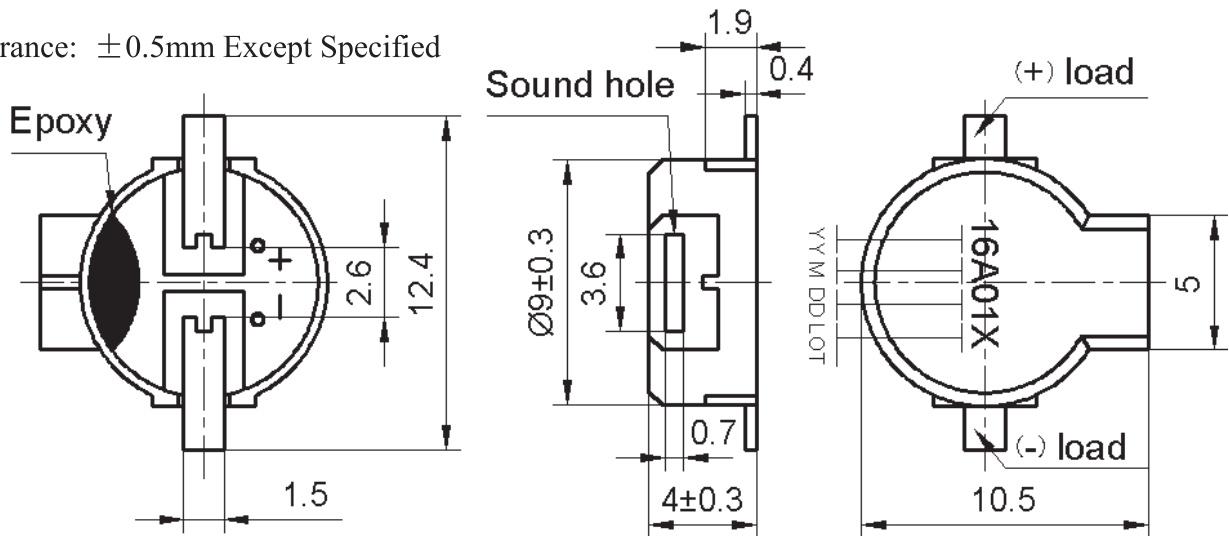
SMD Magnetic Buzzers

KLS3-SMT-09*04 SMD Electro-magnetic Buzzer

- Parameters:**
 Rated Voltage : 5V
 Operating Voltage : 2~5V
 Coil Resistance : 30±3Ω
 Resonant Frequency : 2700Hz
 Sound Output at 10cm : ≥90dB
 Current Consumption : ≤80mA
 Operating Temperature : -20℃ ~ +70℃
 Storage Temperature : -30℃ ~ +80℃
 Weight : 0.8g
 Housing Material:PPS
 RoHS: Yes



Tolerance: ±0.5mm Except Specified



ORDER INFORMATION

Product NO.: KLS3-SMT-09*04

Part Number _____ Size specifications: 09*04mm (Diameter*High)
 Without Circuit Piezo Transducer Buzzer Series _____