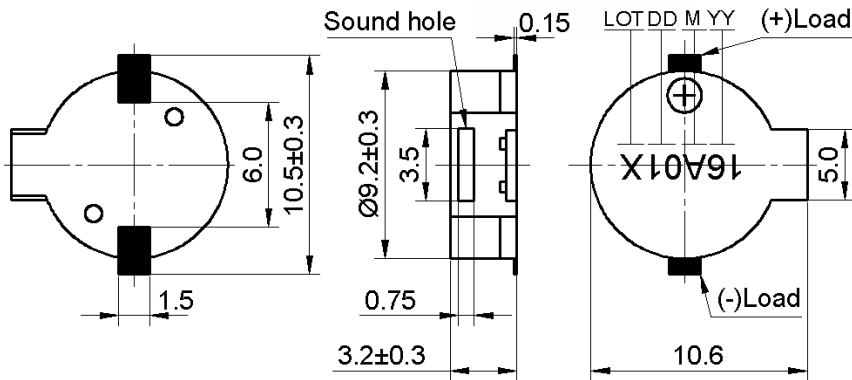
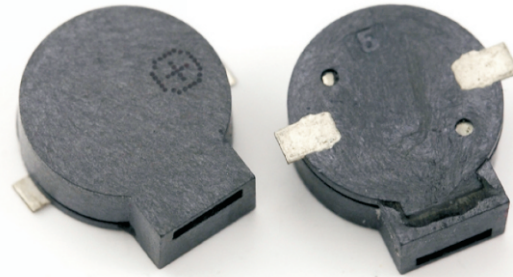


## SMD Magnetic Buzzers

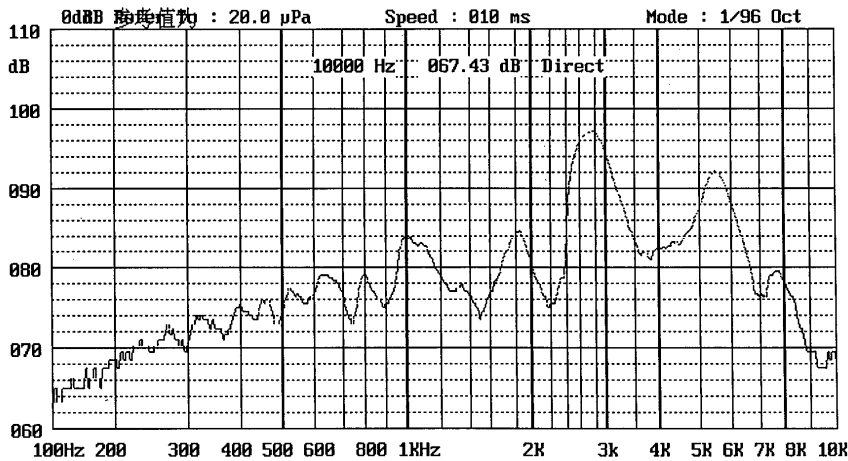
KLS3-SMT-09\*3.2 SMD Electro-magnetic Buzzer

### Parameter:

Rated Voltage (V): 3  
 Operating Voltage (V): 2~4  
 Coil Resistance (Ω): 16±3  
 Resonant Frequency (Hz): 2700  
 Sound Output at 10cm (dB): ≥92  
 Current Consumption (mA): ≤80  
 Operating Temperature (°C): -40~+105  
 Storage Temperature (°C): -40~+120  
 Weight (g): 0.8  
 Housing Material: LCP  
 RoHS: Yes



### FREQUENCY RESPONSE:



## ORDER INFORMATION

Product NO.: KLS3-SMT-09\*3.2

Part Number  
SMD Electro-magnetic Buzzer

Size specifications:  
09\*3.2mm (Diameter\*High)