

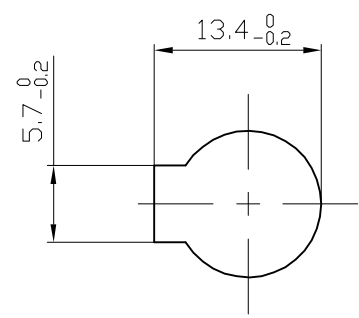
1 2 3 4 5 6 7 8

A

A

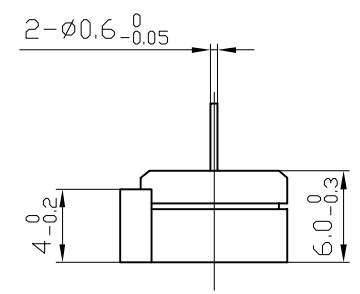
B

B



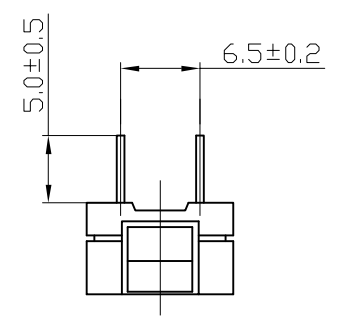
C

C



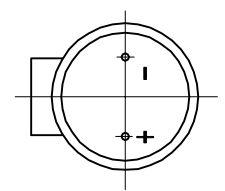
D

D



E

E



F

F

SPECIFICATION

- 1. Rated Voltage.....1.5V
- 2. Operating Voltage.....1-2V
- 3. Max. Rated Current.....70mA
- 4. Coil Resistance.....5±1 Ω
- 5. Coil Impedance15 Ω
- 6. Min. Sound Pressure Level.....85dB/10cm
- 7. Resonant Frequency.....2731Hz
- 8. Case Material.....MPPO
- 9. Operating Temperature.....-20~+70℃
- 10. Store Temperature.....-30~+80℃
- 11. Weight.....2g

1 2 3 4 5 6 7 8

				KEPO NINGBO KEPO ELECTRONIC CO.,LTD http://www.chinaacoustic.com	
No.	DESCRIPTION	APPROVED	DATE	Magnetic buzzer KP12-04F1	
TOLERANCES UNLESS NOTED OTHERWISE X = .XX = .XXX = 90° FORMED -2° ANGLES ±°		APPROVALS	DATE		
FIRST ANGLE PROJECTION		DRAWN		UNIT	DWG NO.
		CHECKED		mm	KP3.843.660
		APPROVED	05.08.01	SCALE	SHEET
				NOT TO SCALE	VER 1.0