

1

2

3

4

5

6

7

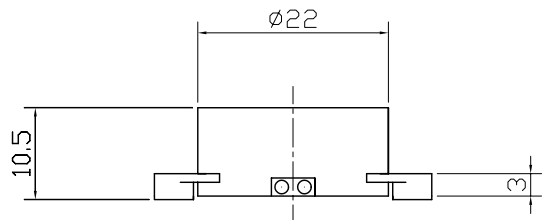
8

A

A

B

B

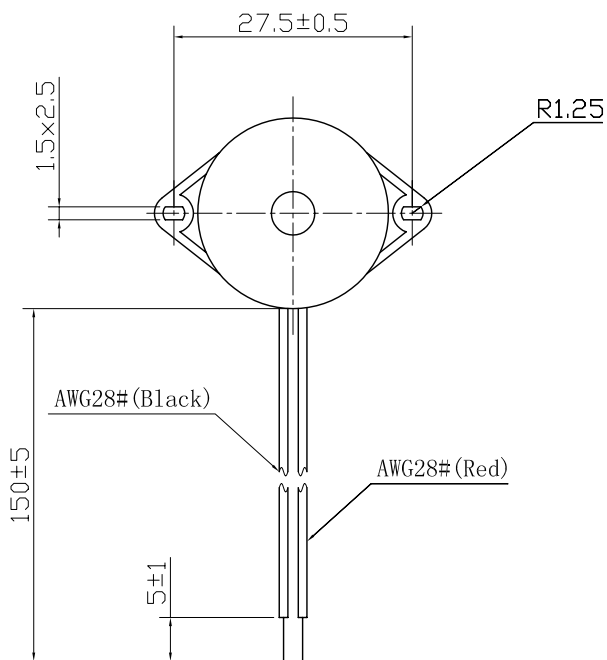


# SPECIFICATION

- 1. Rated Voltage .....9VDC
- 2. Operating Voltage .....3~30VDC
- 3. Max. Rated Current .....10mA at 9VDC
- 4. Resonant Frequency .....4.5±0.5KHz
- 5. Min. Sound Pressure Level.....90dB at 9VDC/30cm
- 6. Tone Nature .....Continuous
- 7. Shell Material/Color .....ABS/Black
- 8. Operating Temperature .....-20~+80°C
- 9. Store Temperature .....-30~+100°C
- 10. Weight .....6g

C

C



D


D

E

E

F

F

				<b>KEPO</b> NINGBO KEEP IMPROVING ELECTRONIC CO.,LTD <a href="http://www.chinaacoustic.com">http://www.chinaacoustic.com</a>	
				Piezo Buzzer KPI-2210L-09	
No.	DESCRIPTION	APPROVED	DATE		
<small>TOLERANCES UNLESS NOTED OTHERWISE  X ±  XX ±  XXX ±  90° FORMED ±2°  ANGLES -1°</small>		APPROVALS		DATE	
		DRAWN			
<small>FIRST ANGLE PROJECTION</small> 		CHECKED		UNIT	DWG NO.
		APPROVED	03.08.06	mm	KP3.840.096
			SCALE	SHEET	VER 1.0

1

2

3

4

5

6

7

8