

1

2

3

4

5

6

7

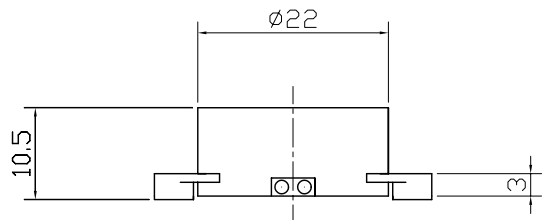
8

A

A

B

B

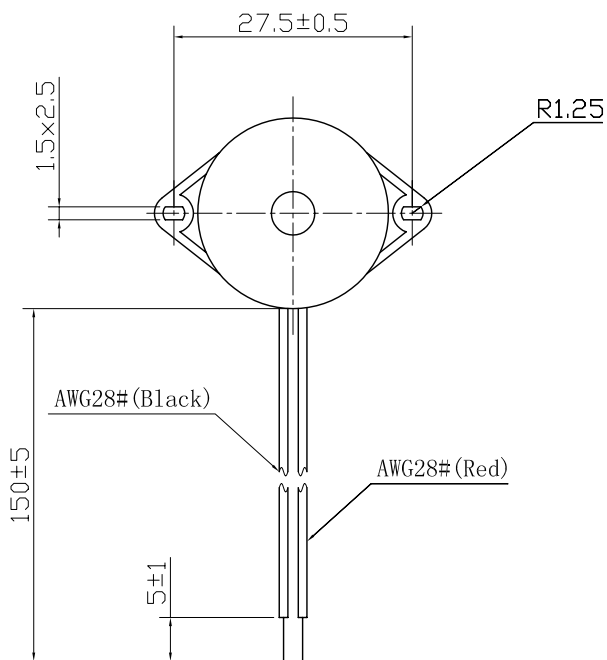


# SPECIFICATION

- 1. Rated Voltage .....12VDC
- 2. Operating Voltage .....3~30VDC
- 3. Max. Rated Current .....15mA at 12VDC
- 4. Resonant Frequency .....4.2±0.5KHz
- 5. Min. Sound Pressure Level.....85dB at 12VDC/30cm
- 6. Tone Nature .....Continuous
- 7. Shell Material/Color .....ABS/Black
- 8. Operating Temperature .....-20~+80°C
- 9. Store Temperature .....-30~+100°C
- 10. Weight .....6g

C

C



D

D

E

E

F

F

				<b>KEPO</b> NINGBO KEEP IMPROVING ELECTRONIC CO.,LTD <a href="http://www.chinaacoustic.com">http://www.chinaacoustic.com</a>	
				Piezo Buzzer KPI-2210L	
No.	DESCRIPTION	APPROVED	DATE		
TOLERANCES UNLESS NOTED OTHERWISE X ± .XX ± .XXX ± 90° FORBID ±2° ANGLES -1° FIRST ANGLE PROJECTION		APPROVALS	DATE		
		DRAWN			
		CHECKED		UNIT	DWG NO.
		APPROVED	03.06.11	mm	KP3.840.006
				SCALE	SHEET
					VER 1.0

1

2

3

4

5

6

7

8