

1

2

3

4

5

6

7

8

A

A

B

B

C

C

D

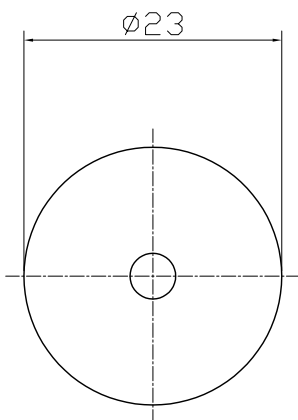
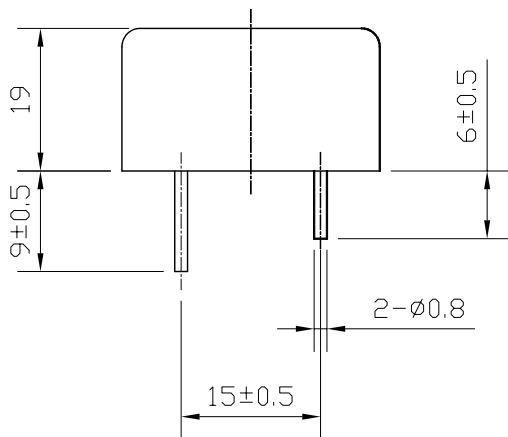
D

E

E

F

F



SPECIFICATION

- 1. Rated Voltage3VDC
- 2. Operating Voltage2~5VDC
- 3. Max. Rated Current25mA at 3VDC
- 4. Resonant Frequency3.4±0.5KHz
- 5. Min. Sound Pressure Level.....80dB at 3VDC/30cm
- 6. Tone NatureContinuous
- 7. Case MaterialPBT
- 8. Operating Temperature-20~+80°C
- 9. Store Temperature-30~+100°C
- 10. Weight8g

				KEPO NINGBO KEPO ELECTRONIC CO.,LTD http://www.chinaacoustic.com	
				Pizeo Buzzer KPI-2310	
No.	DESCRIPTION	APPROVED	DATE		
<small>TOLERANCES UNLESS NOTED OTHERWISE X ± .XX ± .XXX ± 90° FORMED ±15° ANGLES ±1°</small>		APPROVALS		UNIT	DWG NO.
		DRAWN	CHECKED	mm	KP3.840.081
FIRST ANGLE PROJECTION		APPROVED	04.09.27	SCALE	SHEET
				NOT TO SCALE	VER 1.0

1

2

3

4

5

6

7

8