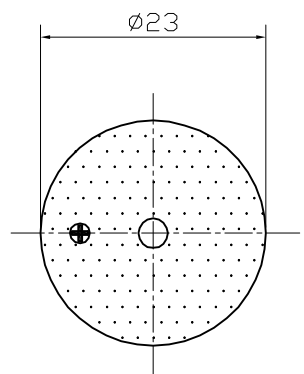


SPECIFICATION

- 1. Rated Voltage12VDC
- 2. Operating Voltage8~15VDC
- 3. Max. Rated Current15mA at 12VDC
- 4. Resonant Frequency3.3±0.5KHz
- 5. Min. Sound Pressure Level.....88dB at 12VDC/30cm
- 6. Tone NatureContinuous
- 7. Case MaterialABS
- 8. Operating Temperature-20~+80°C
- 9. Store Temperature-30~+100°C
- 10. Weight8g



				KEPO NINGBO KEPO ELECTRONIC CO.,LTD http://www.chinaacoustic.com	
No.		DESCRIPTION	APPROVED	DATE	Piezo Buzzer KPI-2343
			APPROVALS	DATE	
TOLERANCES UNLESS NOTED OTHERWISE: .X * .XX * .XXX * 90° FORMED ±2° ANGLES ±1° FIRST ANGLE PROJECTION		DRAWN			UNIT
		CHECKED			mm
		APPROVED		05.05.25	DWG NO. KP3.840.010
					SCALE NOT TO SCALE
					SHEET
					VER 1.2