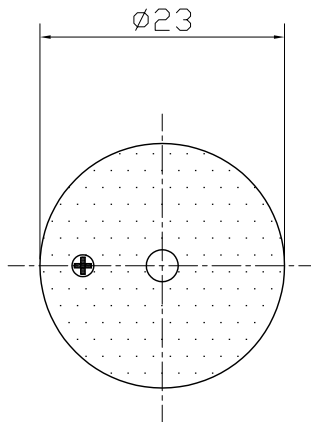


## Specifications

1. Rated Voltage.....24VDC
2. Operating Voltage.....20~28VDC
3. Max. Rated Current.....20mA/24VDC
4. Min. Sound Pressure Level.....88dB /24VDC/30cm
5. Resonant Frequency.....3.1±0.5KHz
6. Tone Nature.....Continuous
7. Case Material.....ABS
8. Operating Temperature.....-20~+80°C
9. Store Temperature.....-30~+100°C
10. Weight.....7g



				<b>KEPO</b> NINGBO KEEP IMPROVING ELECTRONIC CO.,LTD <a href="http://www.chinaacoustic.com">http://www.chinaacoustic.com</a>	
				Piezo Audio Indicator KPI-2344	
No.	DESCRIPTION	APPROVED	DATE	UNIT	DWG NO.
TOLERANCES UNLESS NOTED OTHERWISE X = .XX ± .XXX ± 90° FORMED ±1° ANGLES -1° FIRST ANGLE PROJECTION		APPROVALS		mm	KP3.840.116.03
		CHECKED			
		APPROVED	04.07.22	SCALE	SHEET
				NOT TO SCALE	VER 1.1