

1

2

3

4

5

6

7

8

A

A

B

B

C

C

D

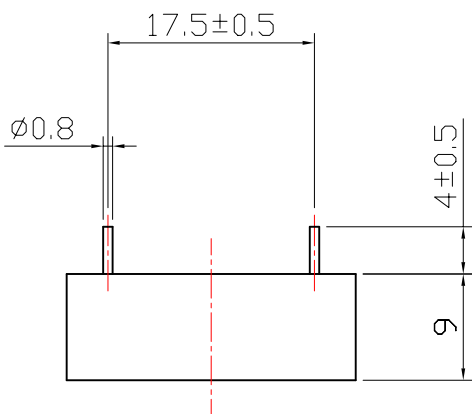
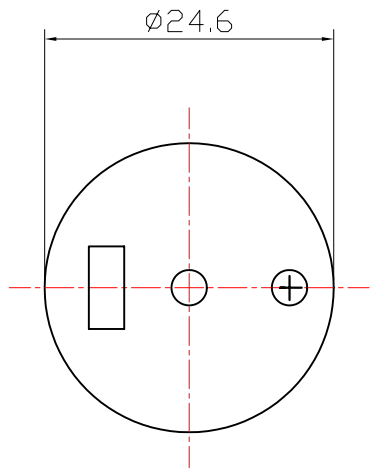
D

E

E

F

F



# SPECIFICATION

- 1. Rated Voltage .....5VDC
- 2. Operating Voltage .....3~15VDC
- 3. Max. Rated Current .....12mA at 5VDC
- 4. Resonant Frequency .....3.6±0.5KHz
- 5. Min. Sound Pressure Level.....83dB at 5VDC/30cm
- 6. Tone Nature .....Continuous
- 7. Case Material .....PC
- 8. Operating Temperature .....-20~+80°C
- 9. Store Temperature .....-30~+100°C
- 10. Weight .....6g

				<b>KEPO</b> NINGBO KEEP IMPROVING ELECTRONIC CO.,LTD <a href="http://www.chinaacoustic.com">http://www.chinaacoustic.com</a>	
				Piezo Buzzer KPI-2510-5	
No.	DESCRIPTION	APPROVED	DATE		
<small>TOLERANCES UNLESS NOTED OTHERWISE  X = ±  .XX = ±  .XXX = ±  90° FORWARD +2°  ANGLES -1°</small>		APPROVALS		UNIT	DWG NO.
		DRAWN		mm	KP3.840.012.02
<small>FIRST ANGLE PROJECTION</small> 		CHECKED		SCALE	SHEET
		APPROVED	03.05.20	NOT TO SCALE	VER 1.0