

1

2

3

4

5

6

7

8

A

A

B

B

C

C

D

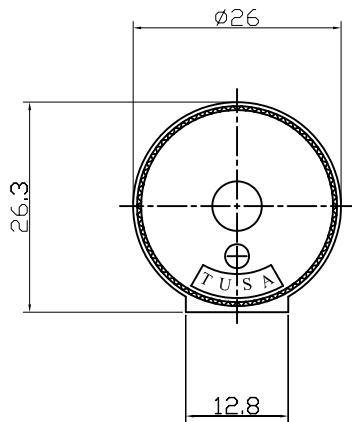
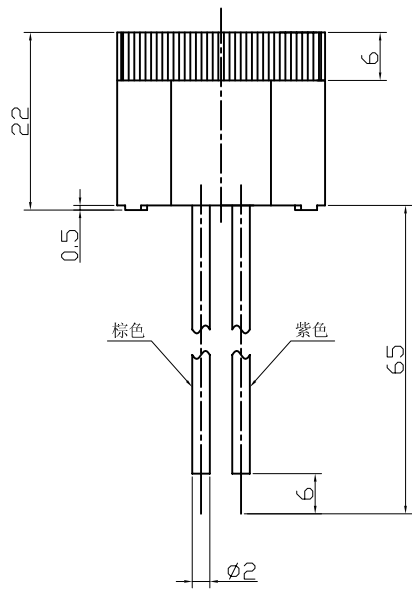
D

E

E

F

F



SPECIFICATION

- 1. Rated Voltage12VDC
- 2. Operating Voltage 6~18VDC
- 3. Max. Rated Current 25mA at 12VDC
- 4. Min. Sound Pressure Level 92dB at 12VDC/30cm
- 5. Resonant Frequency 2.7±0.5KHz
- 6. Tone Nature Continuous
- 7. Case Material ABS
- 8. Operating Temperature -20~+60°C
- 9. Store Temperature -30~+80°C
- 10. Weight 13g

				KEPO NINGBO KEEP IMPROVING ELECTRONIC CO.,LTD http://www.chinaacoustic.com	
				Piezo Buzzer KPI-2622L	
No.	DESCRIPTION	APPROVED	DATE		
<small>TOLERANCES UNLESS NOTED OTHERWISE X ± .XX ± .XXX ± 90° FORMED ±2° ANGLES -1°</small>		APPROVALS		DATE	
		DRAWN			
		CHECKED		UNIT	DWG NO.
		APPROVED		mm	KP3.840.120
FIRST ANGLE PROJECTION			03.04.25	SCALE	SHEET
				NOT TO SCALE	VER 1.0

1

2

3

4

5

6

7

8