

1

2

3

4

5

6

7

8

A

A

B

B

C

C

D

D

E

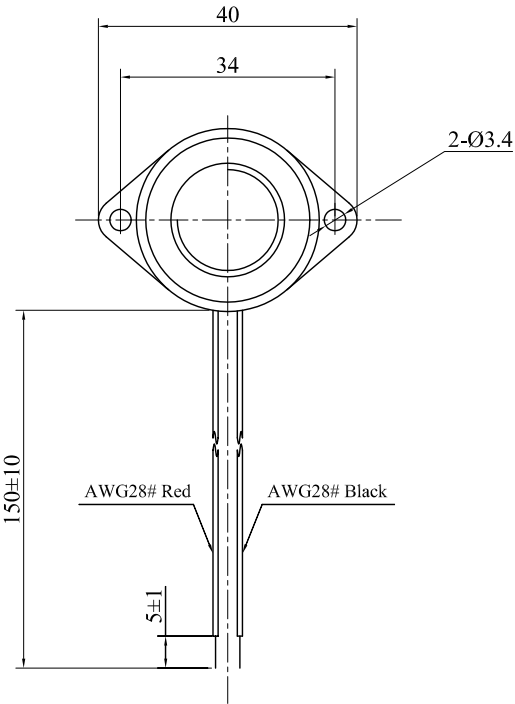
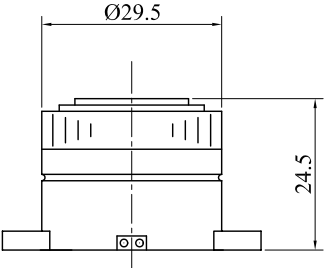
E

F

F

SPECIFICATION

- 1. Rated Voltage12 VDC
- 2. Operating Voltage3~24 VDC
- 3. Max. Rated Current15mA/12VDC
- 4. Resonant Frequency3.7±0.5KHz
- 5. Min. Sound Pressure Level.....90dB/12VDC/30cm
- 6. Tone Nature.....Continuous
- 7. Shell Material/ColorABS/Black
- 8. Operating Temperature-20 ~ +60℃
- 9. Store Temperature-30 ~ +70℃
- 10. Weight15g



				KEPO NINGBO KEEP IMPROVING ELECTRONIC CO.,LTD http://www.chinaacoustic.com	
				Piezo Buzzer KPI-2910L	
No.	DESCRIPTION	APPROVED	DATE		
<small>TOLERANCES UNLESS NOTED OTHERWISE X = ± .XX = ± .XXX = ± 90° FOR ANGLES +2° ANGLES -1°</small>		APPROVALS		UNIT	DWG NO.
		DRAWN		mm	KP3.840.017
		CHECKED		SCALE	SHEET
FIRST ANGLE PROJECTION		APPROVED	03.04.12	NOT TO SCALE	VER 1.0