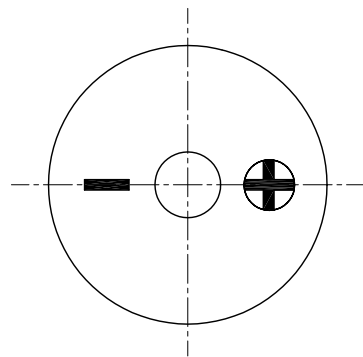


## SPECIFICATION

1. Rated Voltage .....3VDC
2. Operating Voltage .....1.5~5VDC
3. Max. Rated Current .....25mA/3VDC
4. Resonant Frequency .....3.9 $\pm$ 0.5KHz
5. Min. Sound Pressure Level.....88dB at 3VDC/30cm
6. Tone Nature .....Continuous
7. Shell Material/Color .....PC/Black
8. Operating Temperature .....-20~+80 $^{\circ}$ C
9. Store Temperature .....-30~+100 $^{\circ}$ C
10. Weight .....8g



				<b>KEPO</b> NINGBO KEEP IMPROVING ELECTRONIC CO.,LTD <a href="http://www.chinaacoustic.com">http://www.chinaacoustic.com</a>	
				Piezo Buzzer KPI-3010-03	
No.	DESCRIPTION	APPROVED	DATE		
TOLERANCES UNLESS NOTED OTHERWISE X = .XX = .XXX = 90 $^{\circ}$ FORWARD $+2^{\circ}$ ANGLES $-1^{\circ}$ FIRST ANGLE PROJECTION		APPROVALS	DATE	UNIT	DWG NO.
		DRAWN		mm	KP3.840.063
		CHECKED		SCALE	SHEET
		APPROVED	03.07.23	NOT TO SCALE	VER 1.2