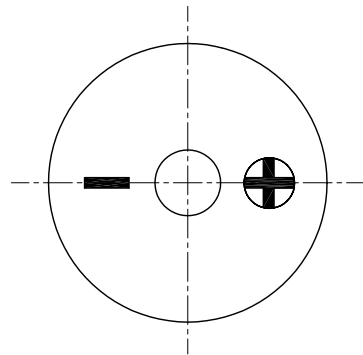


## SPECIFICATION

1. Rated Voltage .....9VDC
2. Operating Voltage .....6~15VDC
3. Max. Rated Current .....25mA/9VDC
4. Resonant Frequency .....3.9±0.5KHz
5. Min. Sound Pressure Level.....88dB at 9VDC/30cm
6. Tone Nature .....Continuous
7. Shell Material/Color .....PC/Black
8. Operating Temperature .....-20~+80°C
9. Store Temperature .....-30~+100°C
10. Weight .....8g



				<b>KEPO</b> NINGBO KEEP IMPROVING ELECTRONIC CO.,LTD <a href="http://www.chinaacoustic.com">http://www.chinaacoustic.com</a>	
				Piezo Buzzer KPI-3010-09	
No.	DESCRIPTION	APPROVED	DATE		
TOLERANCES UNLESS NOTED OTHERWISE X = ± .XX = ± .XXX = ± 90° FORWARD +2° ANGLES -1° FIRST ANGLE PROJECTION		APPROVALS	DATE	UNIT	DWG NO.
		DRAWN		mm	KP3.840.066
		CHECKED		SCALE	SHEET
		APPROVED	03.07.23	NOT TO SCALE	VER 1.2