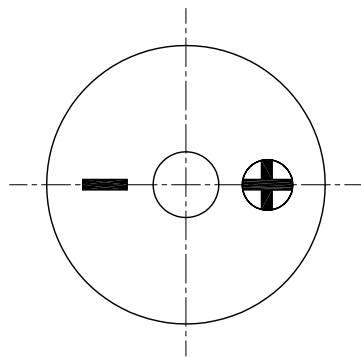


SPECIFICATION

1. Rated Voltage12VDC
2. Operating Voltage3~24VDC
3. Max. Rated Current15mA/12VDC
4. Resonant Frequency3.9 \pm 0.5KHz
5. Min. Sound Pressure Level.....90dB at 12VDC/30cm
6. Tone NatureContinuous
7. Shell Material/ColorPC/Black
8. Operating Temperature-20~+80 $^{\circ}$ C
9. Store Temperature-30~+100 $^{\circ}$ C
10. Weight8g



				KEPO NINGBO KEEP IMPROVING ELECTRONIC CO.,LTD http://www.chinaacoustic.com	
				Piezo Buzzer	
				KPI-3010	
No.	DESCRIPTION	APPROVED	DATE		
TOLERANCES UNLESS NOTED OTHERWISE		APPROVALS		DATE	
X =		DRAWN		UNIT	
.XX =		CHECKED		DWG NO.	
.XXX =		APPROVED		mm	
90 $^{\circ}$ FORWARD +2 $^{\circ}$				SCALE	
ANGLES -1 $^{\circ}$				NOT TO SCALE	
FIRST ANGLE PROJECTION				SHEET	
				VER 1.2	