

1

2

3

4

5

6

7

8

A

A

B

B

C

C

D

D

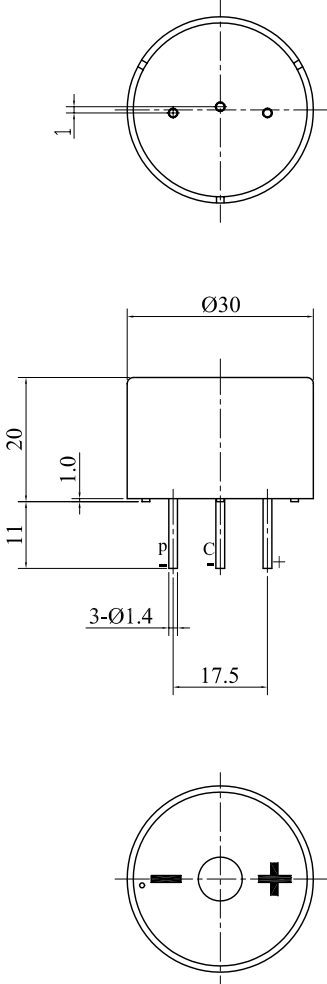
E

E

F

F

SPECIFICATION



- 1. Rated Voltage12VDC
- 2. Operating Voltage3~16VDC
- 3. Max. Rated Current15mA at 12VDC
- 4. Resonant Frequency3.5±0.5KHz
- 5. Min. Sound Pressure Level.....80dB at 12VDC/30cm
- 6. Tone NatureContinuous+Pulse
- 7. Shell Material/ColorPC/Black
- 8. Operating Temperature-20~+80°C
- 9. Store Temperature-30~+100°C
- 10. Weight6g
- 11. Remark:
 - P(-).....Pulse(-)
 - C(-).....Continuous(-)
 - +Positive(+)

				KEPO NINGBO KEEP IMPROVING ELECTRONIC CO.,LTD http://www.chinaacoustic.com	
				Piezo Buzzer KPI-3011	
No.	DESCRIPTION	APPROVED	DATE		
<small>TOLERANCES UNLESS NOTED OTHERWISE X = ± .XX = ± .XXX = ± 90° FOR ANGLES +2° ANGLES -1° FIRST ANGLE PROJECTION</small>		APPROVALS		DATE	
		DRAWN			
		CHECKED		UNIT	DWG NO.
		APPROVED		mm	KP3.840.080
			03.04.08	SCALE	SHEET
				NOT TO SCALE	VER 1.1

1

2

3

4

5

6

7

8