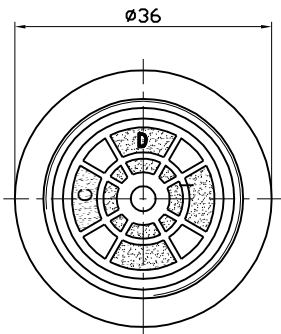


1 2 3 4 5 6 7 8

A



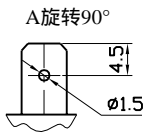
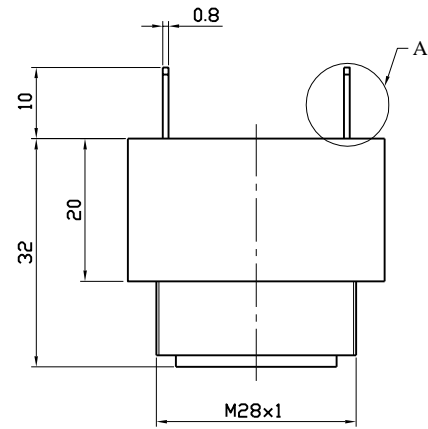
B

SPECIFICATION

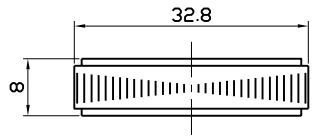
C

- 1. Rated Voltage120VAC
- 2. Operating Voltage40VAC~125VAC
- 3. Max. Rated Current15mA at 120VAC
- 4. Min. Sound Pressure Level88dB at 120VAC/60cm
- 5. Tone NaturePulse
- 6. Resonant Frequency2.9±0.5KHz
- 7. Case MaterialABS (阻燃)
- 8. Operating Temperature-20~+70°C
- 9. Store Temperature-30~+80°C
- 10. Weight34g

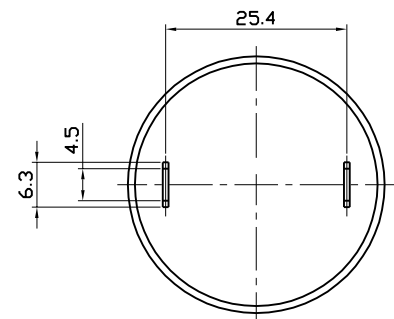
D



E



F



1 2 3 4 5 6 7 8

No.	PART NAME	DWG NO.	Q'TY	MATERIAL	REMARKS
				 NINGBO KEEP IMPROVING ELECTRONIC CO.,LTD http://www.chinaacoustic.com	
No.	DESCRIPTION	APPROVED	DATE	Piezo Buzzer KPI-3721-120V	
<small>TOLERANCES UNLESS NOTED OTHERWISE</small> X ± .XX ± .XXX ± 90° FORMED ±2° ANGLES ±1° FIRST ANGLE PROJECTION		DRAWN	CHECKED		
				UNIT	DWG NO.
				mm	KP3.840.150.01
			04.04.21	SCALE	SHEET
				NOT TO SCALE	VER 1.1