

1 2 3 4 5 6 7 8

A

A

B

B

C

C

D

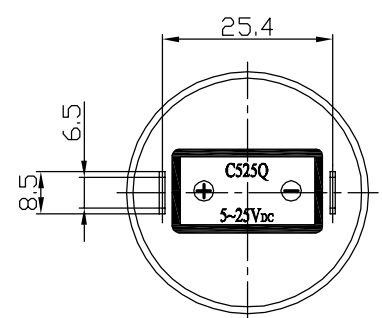
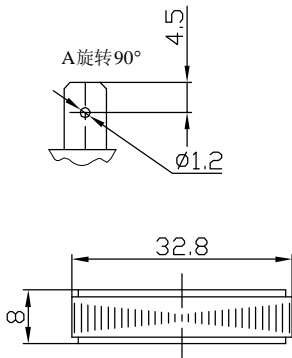
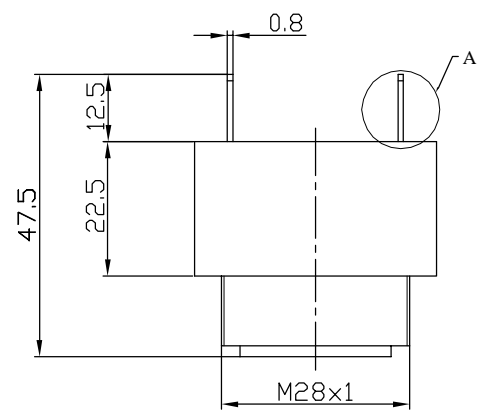
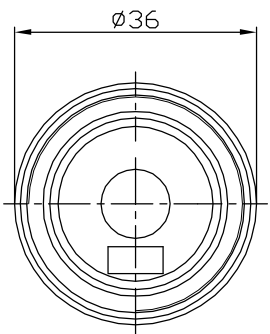
D

E

E

F

F



## SPECIFICATION

1. Rated Voltage .....12VDC
2. Operating Voltage .....5~25VDC
3. Max. Rated Current .....20 mA at 12VDC
4. Min. Sound Pressure Level .....85dB at 12VDC/30cm
5. Tone Nature .....Pulse
6. Resonant Frequency .....2.9±0.5KHz
7. Case Material .....ABS
8. Operating Temperature .....-20~+70°C
9. Store Temperature .....-30~+80°C
10. Weight .....29g

1 2 3 4 5 6 7 8

				<b>KEPO</b> NINGBO KEPO ELECTRONIC CO.,LTD http://www.chinaacoustic.com	
No.	DESCRIPTION	APPROVED	DATE	<b>Piezo Transducer KPI-3741</b>	
TOLERANCES UNLESS NOTED OTHERWISE X = .XX = .XXX = 90° FORMED ±1° ANGLES ±1°		APPROVALS	DATE		
FIRST ANGLE PROJECTION		DRAWN		UNIT	DWGNO.
		CHECKED		mm	KP3.840.168
		APPROVED	05.04.09	SCALE	SHEET
				NOT TO SCALE	VER 1.0