

1

2

3

4

5

6

7

8

A

B

C

D

E

F

A

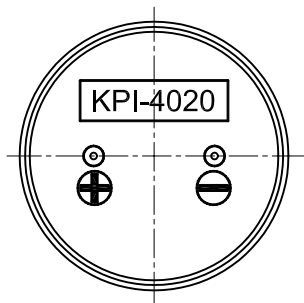
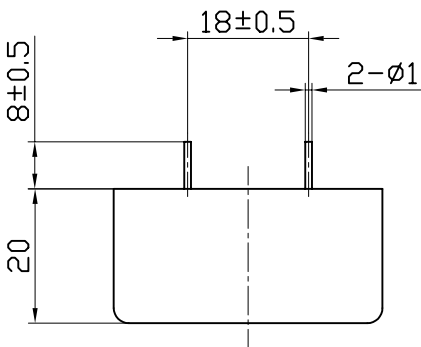
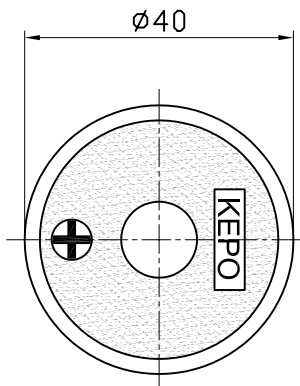
B

C

D

E

F



SPECIFICATION

- 1. Rated Voltage12VDC
- 2. Operating Voltage3~24VDC
- 3. Max. Rated Current80mA
- 4. Resonant Frequency3.2±0.5KHz
- 5. Min. Sound Pressure Level.....103±3dB/100cm/12VDC
- 6. Tone NatureContinuous
- 7. Shell Material/ColorPC/Black
- 8. Operating Temperature-20~+110°C
- 9. Store Temperature-30~+120°C
- 10. Weight12.5g

				KEPO NINGBO KEEP IMPROVING ELECTRONIC CO.,LTD http://www.chinaacoustic.com	
				Piezo Buzzer KPI-4020	
No.	DESCRIPTION	APPROVED	DATE		
<small>TOLERANCES UNLESS NOTED OTHERWISE X = ± .XX = ± .XXX = ± 90° FORWARD +3° ANGLES -1° FIRST ANGLE PROJECTION</small>		APPROVALS	DATE	UNIT	DWG NO.
		DRAWN		mm	KP3.840.146
		CHECKED		SCALE	SHEET
		APPROVED	03.09.18	NOT TO SCALE	VER 1.2

1

2

3

4

5

6

7

8