

1

2

3

4

5

6

7

8

A

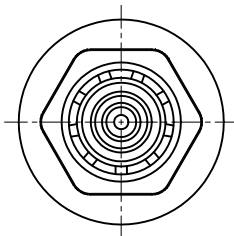
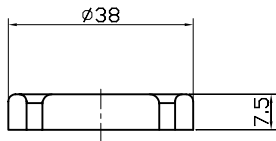
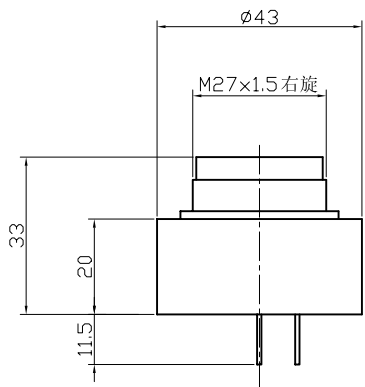
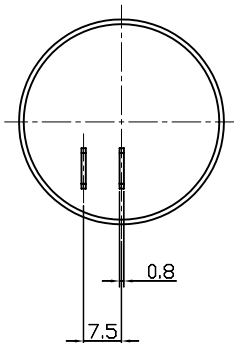
B

C

D

E

F



SPECIFICATION

- 1. Rated Voltage12VAC
- 2. Operating Voltage8~15VAC
- 3. Max. Rated Current20mA at 12VAC
- 4. Resonant Frequency2.9±0.5KHz
- 5. Min. Sound Pressure Level.....80dB at 12VAC/60cm
- 6. Tone NatureSlow Pulse
- 7. Shell Material/ColorABS/Black
- 8. Operating Temperature-20~+60°C
- 9. Store Temperature-30~+70°C
- 10. Weight40g

				KEPO NINGBO KEEP IMPROVING ELECTRONIC CO.,LTD http://www.chinaacoustic.com	
				Piezo Buzzer KPI-4311-12	
No.	DESCRIPTION	APPROVED	DATE		
<small>TOLERANCES UNLESS NOTED OTHERWISE X = ± .XX = ± .XXX = ± 90° FURROWED ±2° ANGLES -1° FIRST ANGLE PROJECTION</small>		APPROVALS		DATE	
		DRAWN			
		CHECKED			
		APPROVED	03.09.01	UNIT: mm	DWG NO. KP3.840.117.02
				SCALE: NOT TO SCALE	SHEET: VER 1.0

1

2

3

4

5

6

7

8