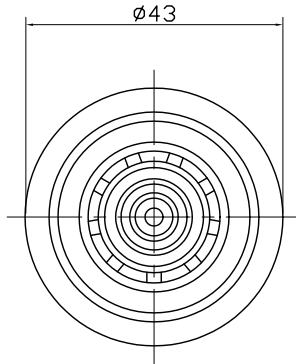


1 2 3 4 5 6 7 8

A

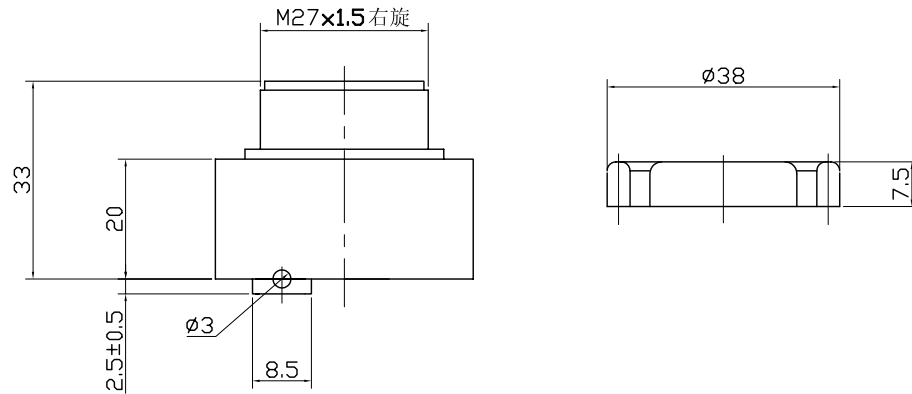


B

SPECIFICATION

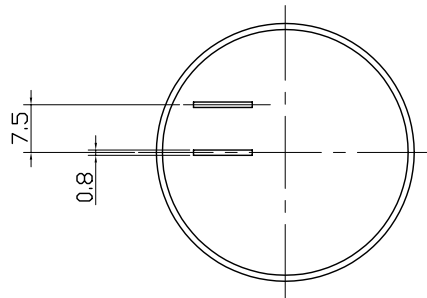
- 1. Rated Voltage12VDC
- 2. Operating Voltage6~28VDC
- 3. Max. Rated Current20mA at 12VDC
- 4. Min. Sound Pressure Level80dB at 12VDC/60cm
- 5. Tone NatureFast pulse
- 6. Resonant Frequency2.9±0.5KHz
- 7. Case MaterialPC
- 8. Operating Temperature-20~+80°C
- 9. Store Temperature-30~+100°C
- 10. Weight40g

C



D

E



F

1 2 3 4 5 6 7 8

				KEPO NINGBO KEEP IMPROVING ELECTRONIC CO.,LTD http://www.chinaacoustic.com	
				Piezo Buzzer KPI-4312P25	
No.	DESCRIPTION	APPROVED	DATE		
<small>TOLERANCES UNLESS NOTED OTHERWISE X ± .XX ± .XXX ± 90° FORWARD +2° ANGLES -1° FIRST ANGLE PROJECTION</small>		APPROVALS		DATE	
		DRAWN			
		CHECKED		UNIT	DWG NO.
		APPROVED		mm	KP3.840.031
			03.10.30	SCALE	SHEET
				NOT TO SCALE	VER 1.0