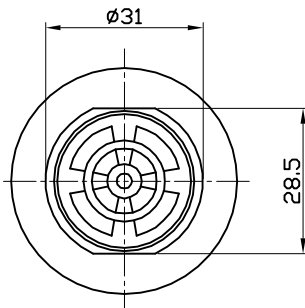


UL1095 AWG22# Red

UL1095 AWG22# Black



SPECIFICATION

1. Rated Voltage12VDC
 2. Operating Voltage3~20VDC
 3. Max. Rated Current20mA at 12VDC
 4. Resonant Frequency3.0±0.5KHz
 5. Min. Sound Pressure Level.....100dB at 12VDC/30cm
 6. Tone NatureContinuous
 7. Case MaterialABS
 8. Operating Temperature-20 ~ +70°C
 9. Weight43g
- Red(红).....Positive(+)
 Black(黑).....Negative(-)

				KEPO NINGBO KEPO ELECTRONIC CO.,LTD http://www.chinaacoustic.com	
No.	DESCRIPTION	APPROVED	DATE	Piezo Buzzer KPI-4360L	
TOLERANCES UNLESS NOTED OTHERWISE: X .# XX .# XXX .# 90° FORMED ±2° ANGLES ±1° FIRST ANGLE PROJECTION		APPROVALS	DATE	UNIT	DWG NO.
DRAWN				mm	KP3.840.165
CHECKED				SCALE	SHEET
APPROVED			05.02.21	NOT TO SCALE	VER 1.1