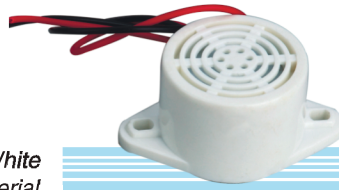
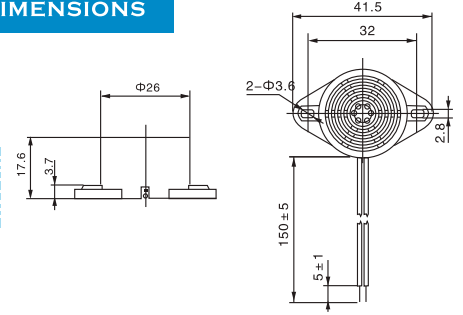


■■■ KPMB-G26XXL SERIES MECHANICAL BUZZER



color White
ABS Housing Material
Wire Terminal

DIMENSIONS

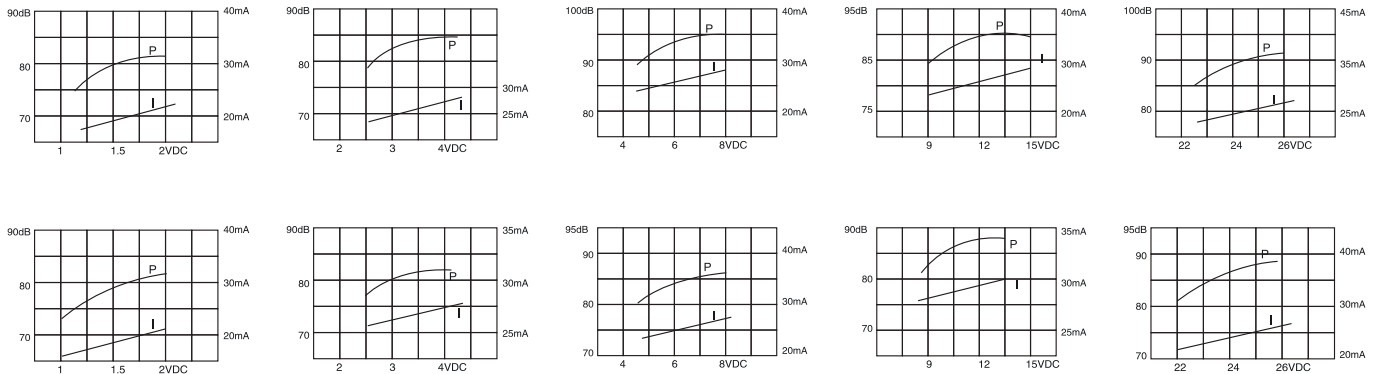
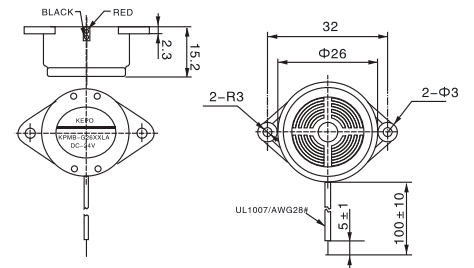


■■■ KPMB-G26XXLA SERIES MECHANICAL BUZZER



color Black
ABS Housing Material
Wire Terminal

DIMENSIONS



Model No	KPMB-G2615L	KPMB-G2603L	KPMB-G2606L	KPMB-G2612L	KPMB-G2624L
Rated Voltage	1.5VDC	3VDC	6VDC	12VDC	24VDC
Operating Voltage	1.3~2VDC	2~4VDC	4~8VDC	9~15VDC	15~27VDC
Max Rated Current	20mA	30mA	30mA	30mA	30mA
Min.Sound Pressure Level	75dB/1.5VDC/20cm	80dB/3VDC/20cm	90dB/6VDC/10cm	85dB/12VDC/20cm	85dB/24VDC/20cm
Resonant Frequency	400 ± 100Hz				
Operating Temperature	-20 ~ +60°C				
Storage Temperature	-30 ~ +70°C				
Weight	12g				

Model No	KPMB-G2615LA	KPMB-G2603LA	KPMB-G2606LA	KPMB-G2612LA	KPMB-G2624LA
Rated Voltage	1.5VDC	3VDC	6VDC	12VDC	24VDC
Operating Voltage	1~2VDC	2~4VDC	4~8VDC	9~15VDC	15~27VDC
Max Rated Current	20mA	30mA	25mA	30mA	
Min.Sound Pressure Level	75dB/1.5VDC/20cm	75dB/3VDC/20cm	80dB/6VDC/20cm	85dB/12VDC/20cm	85dB/24VDC/20cm
Resonant Frequency	400 ± 100Hz				
Operating Temperature	-20 ~ +60°C				
Storage Temperature	-30 ~ +70°C				
Weight	12g				